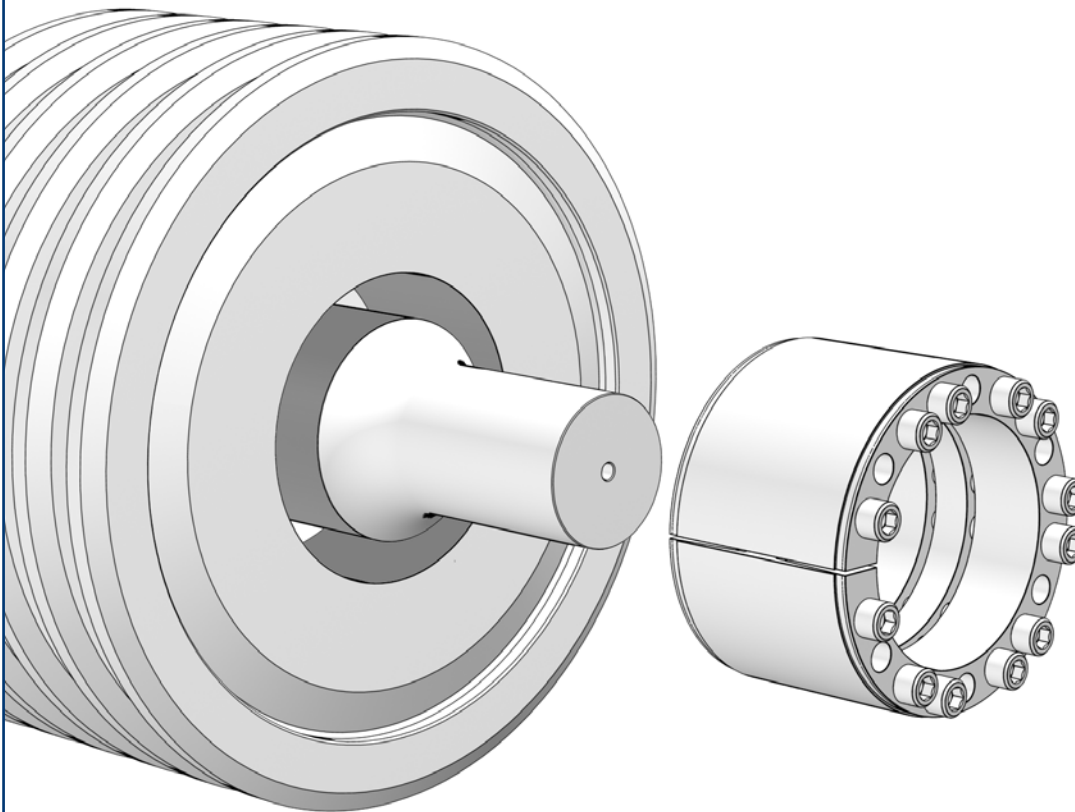


# Locking Assemblies

## RINGFEDER® RfN 7005

Assembly, Disassembly, Re-Assembly



RfN 7005

## Safety instructions

Rotating machine parts may injure operators and service staff!  
Therefore:

- Switch off the drive before assembly work.
- Safeguard the machine against accidental switch-on.
- Mount all covers and protection devices before switching on the machine.
- RINGFEDER® products may only be mounted by specialist staff and for suitable applications.

## Attention

- Please read these instructions through carefully.
- In the event of infringement of these notes all claims of liability will become void.
- RINGFEDER POWER TRANSMISSION reserves the right to technical changes to improve the product.
- RINGFEDER® Locking Assemblies are accepted state of the art.

**If you experience problems or have any questions, our technical and service staff will be happy to assist you. See the reverse of these instructions for the corresponding contact information.**

## Used Lubricants

Designation
Shell Omala 220 Gear / Bearing oil or comparable lubricant ( $\mu = 0,05$ )

## Legend

Assembly

Disassembly

Re-Assembly

Cleaning

Oil hub and shaft lightly, if necessary (*do not use oil containing MoS2*).

Check screw for deformation and replace, if necessary.

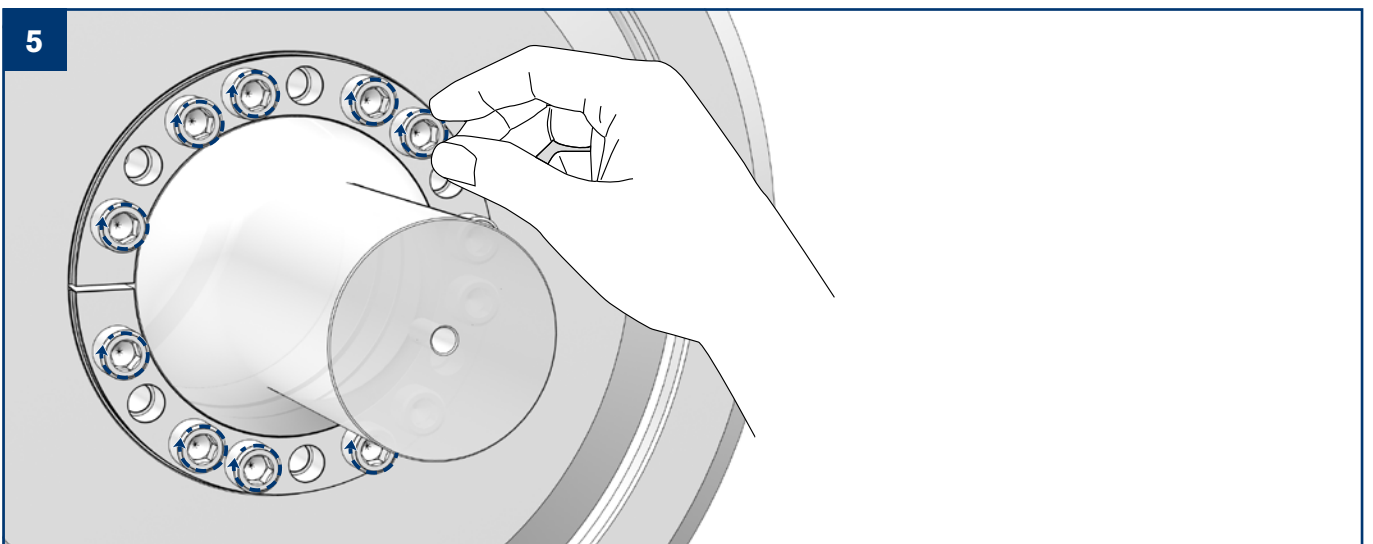
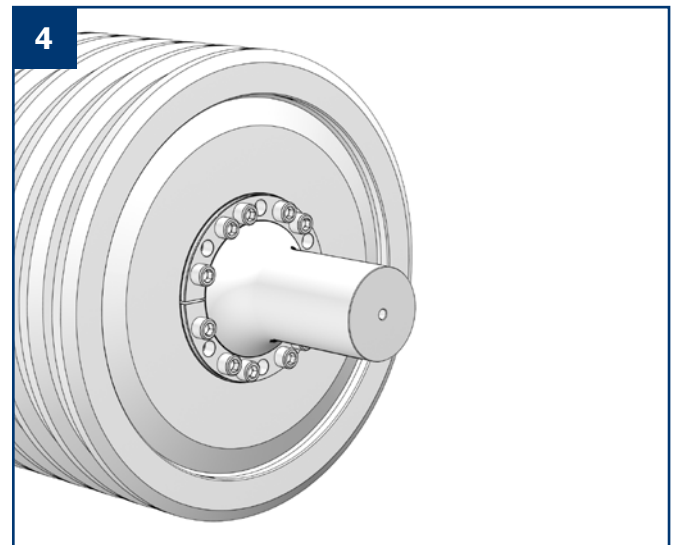
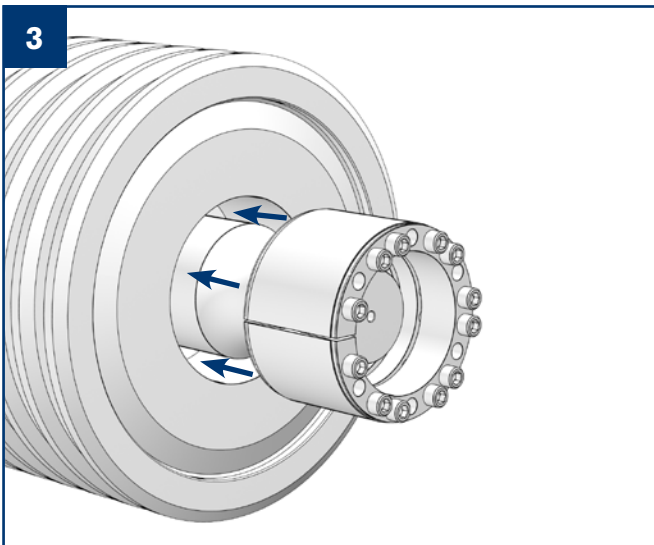
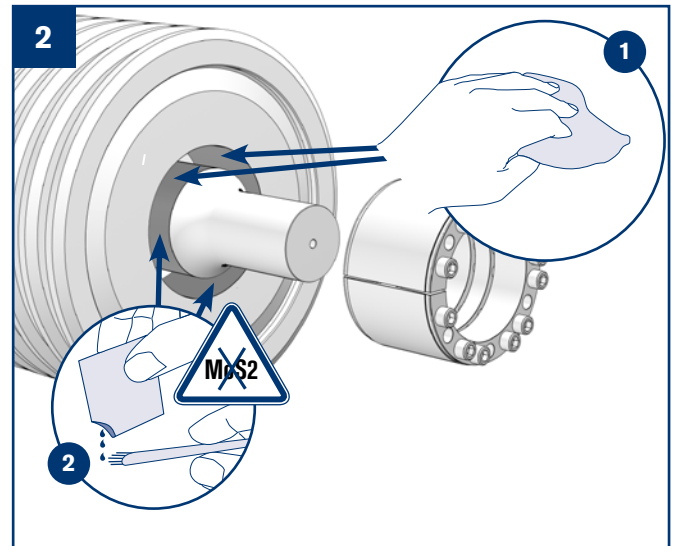
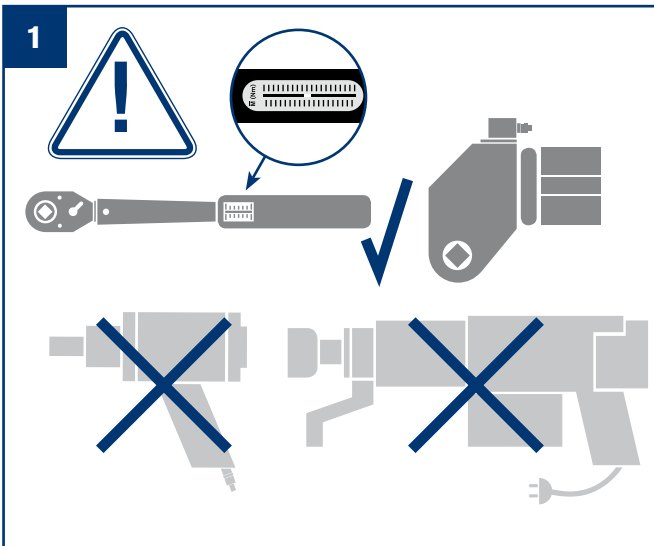
Repeat the described procedure cross-wise the specified number of times.

Repeat the described procedure as many times as specified.

Check for permissible peak-to-valley height.

Attention!  
Absolutely observe!

Valid data on the required tightening torque can be found in the Product Paper & Tech Paper "Locking Assemblies" or on our website. Please check whether the machinery manufacturer has provided discrepant tightening torque values.





**6**

**TA!**

1/3 TA  
2/3 TA

3 TA

**!**

The two screws located directly to the left and right of the slit must be tightened first and one after the other.

**7**

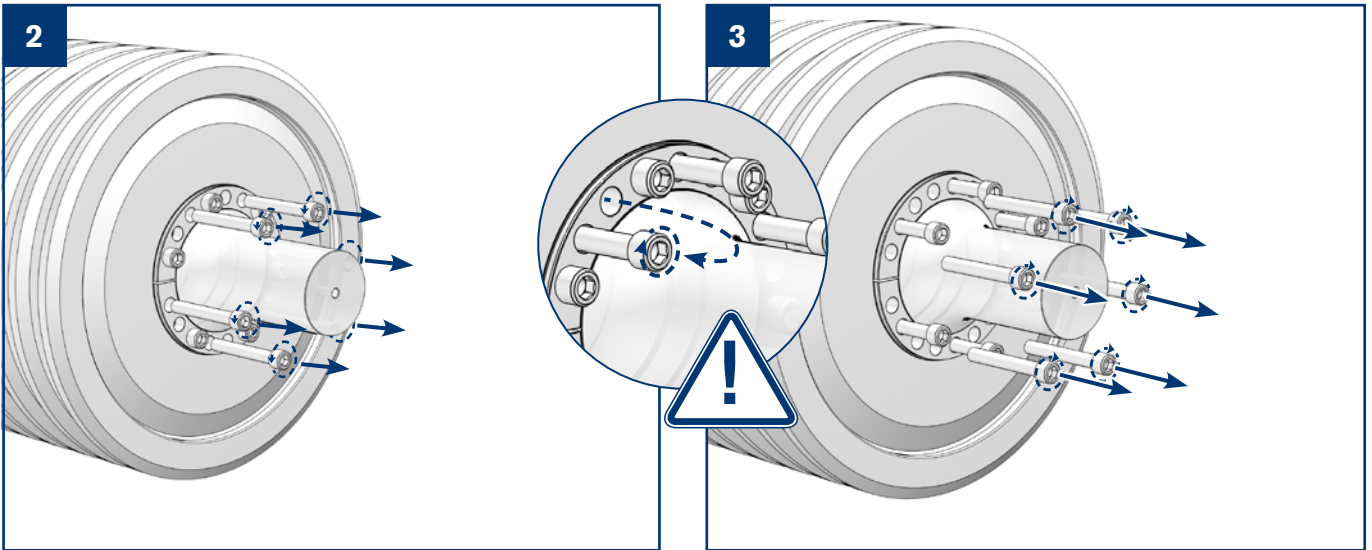
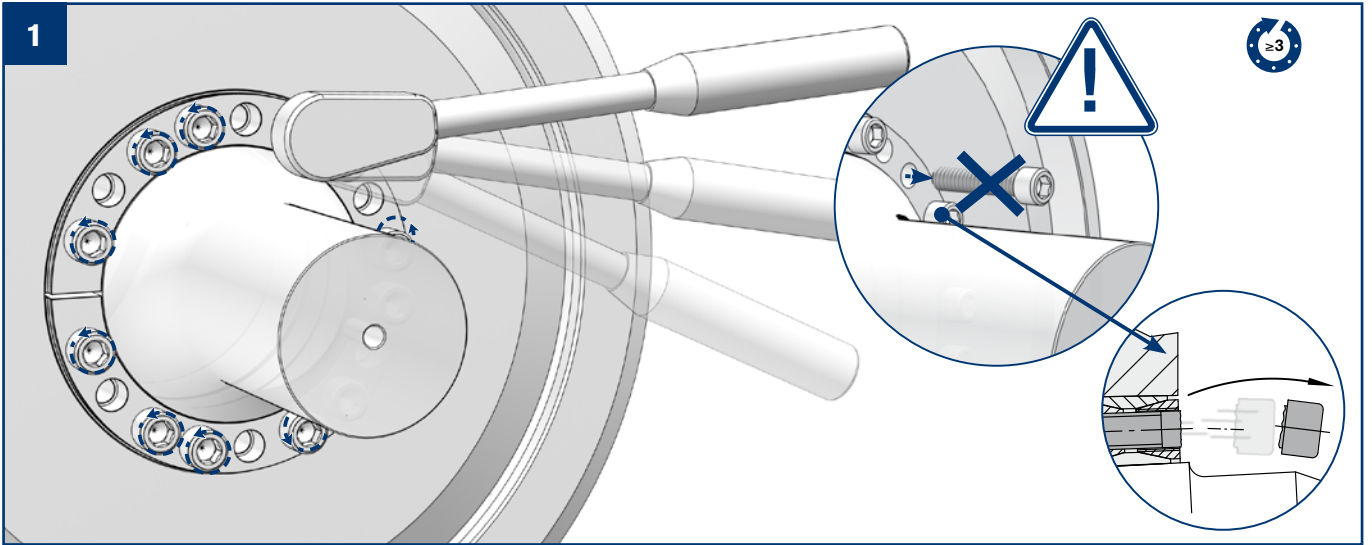
**TA!**

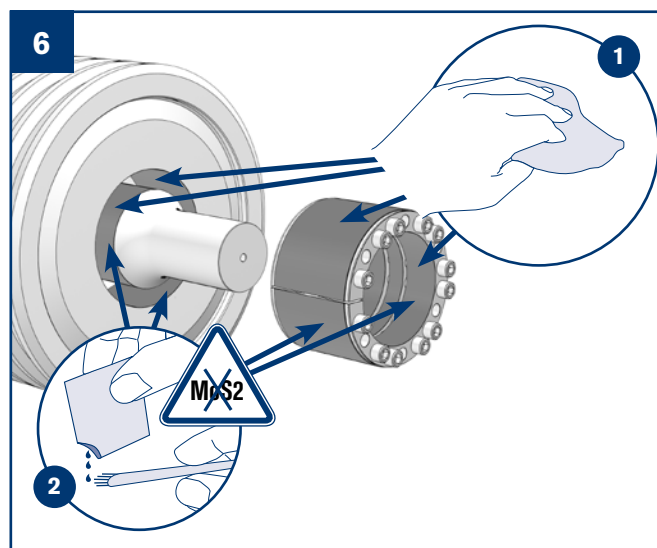
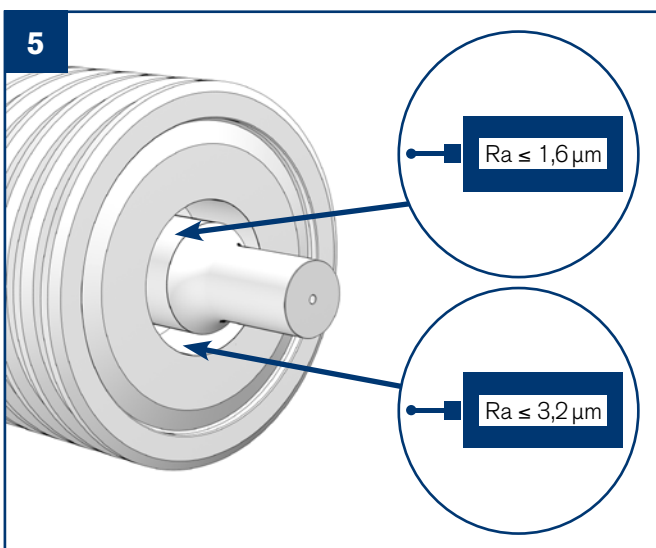
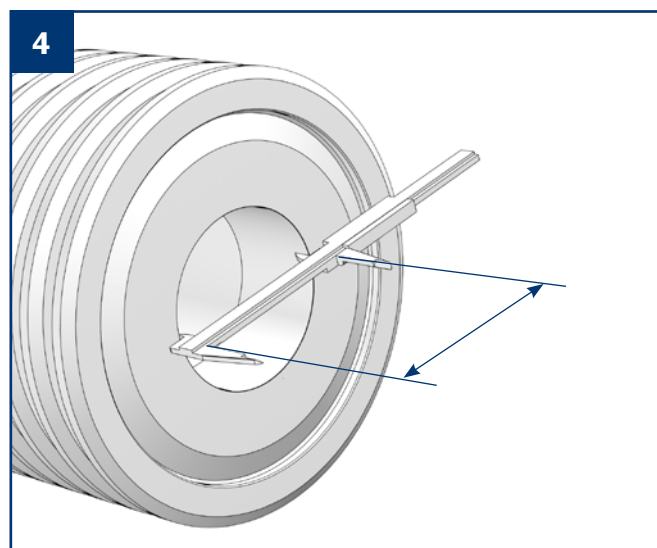
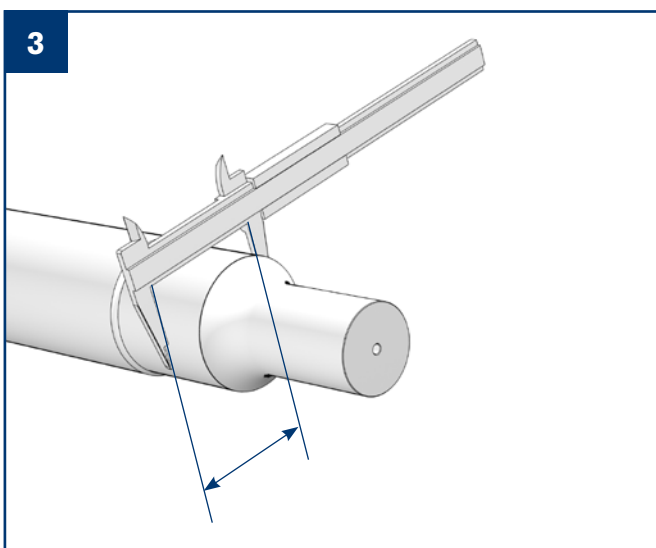
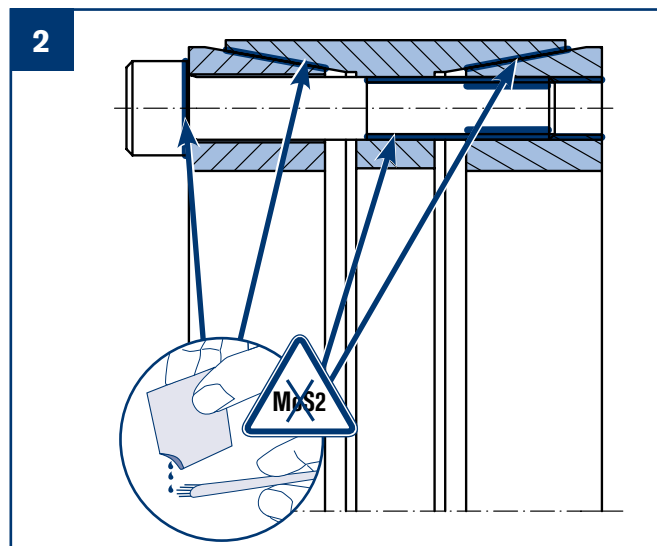
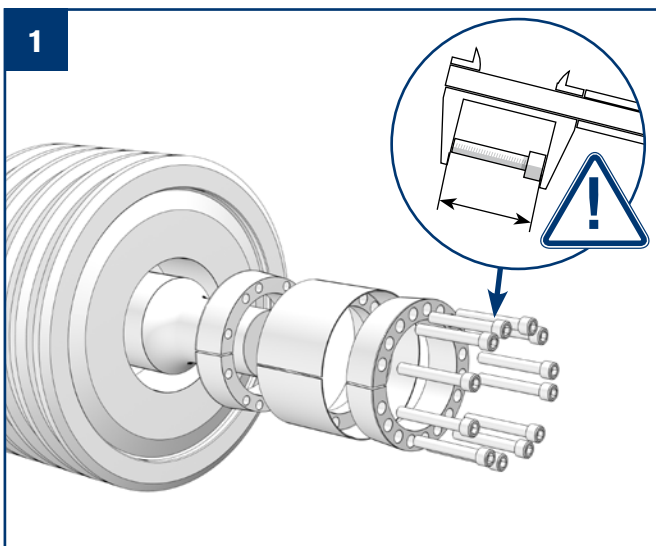
1

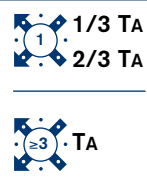
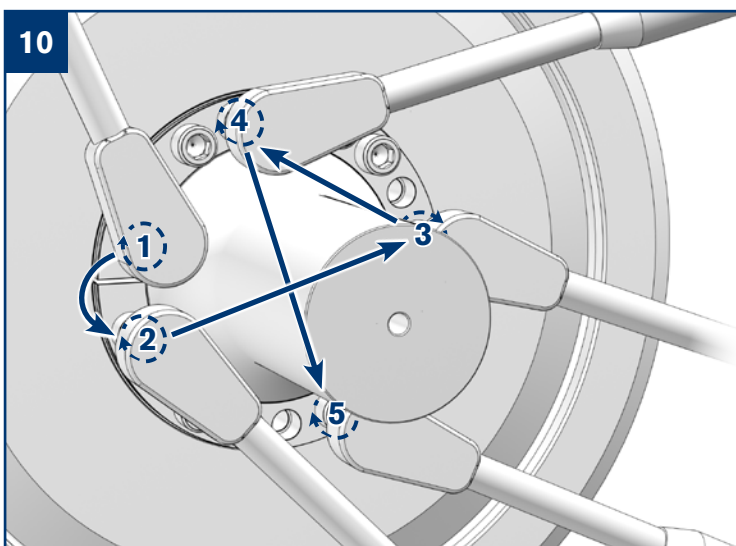
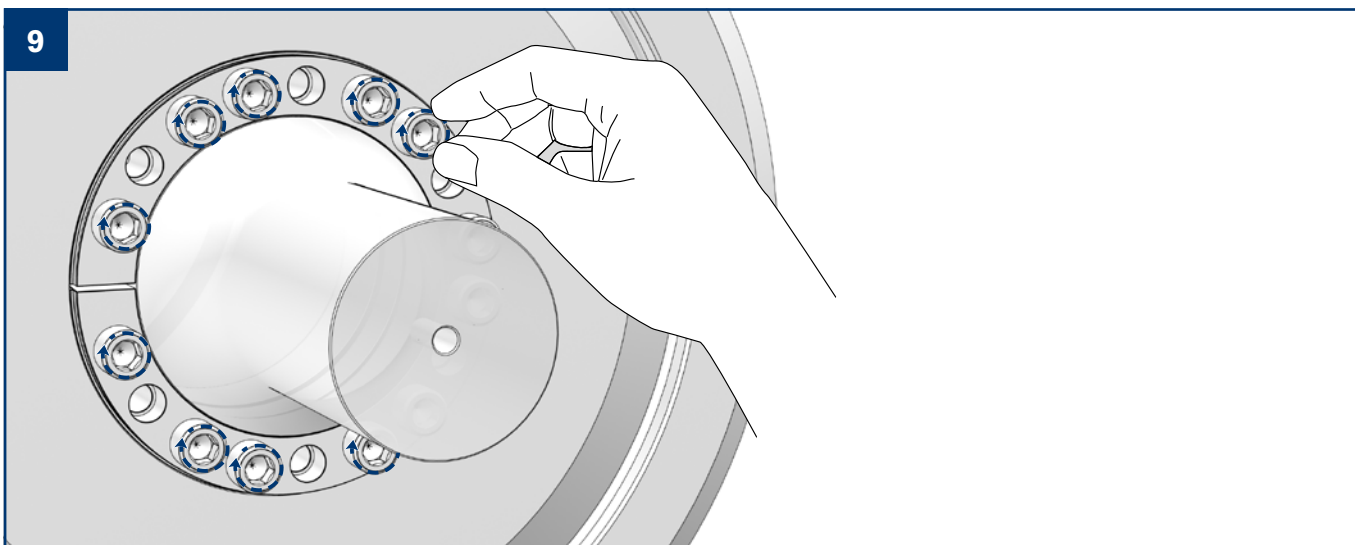
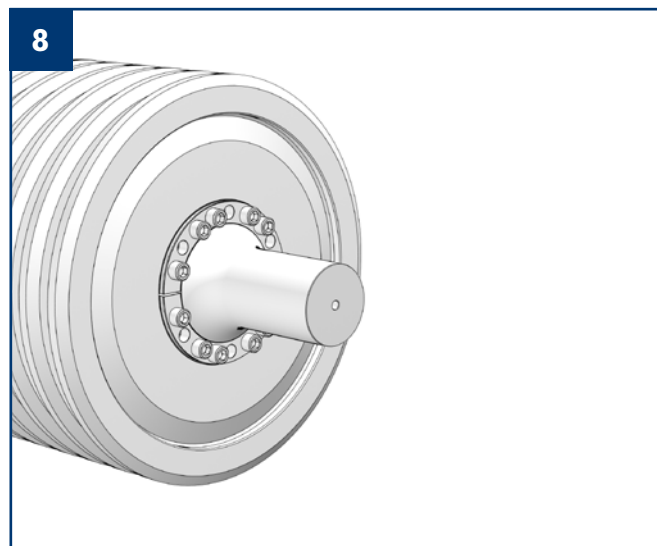
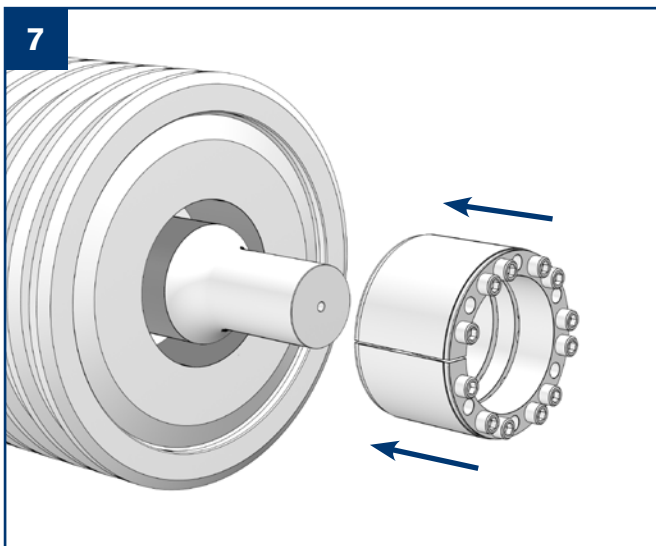
2

3

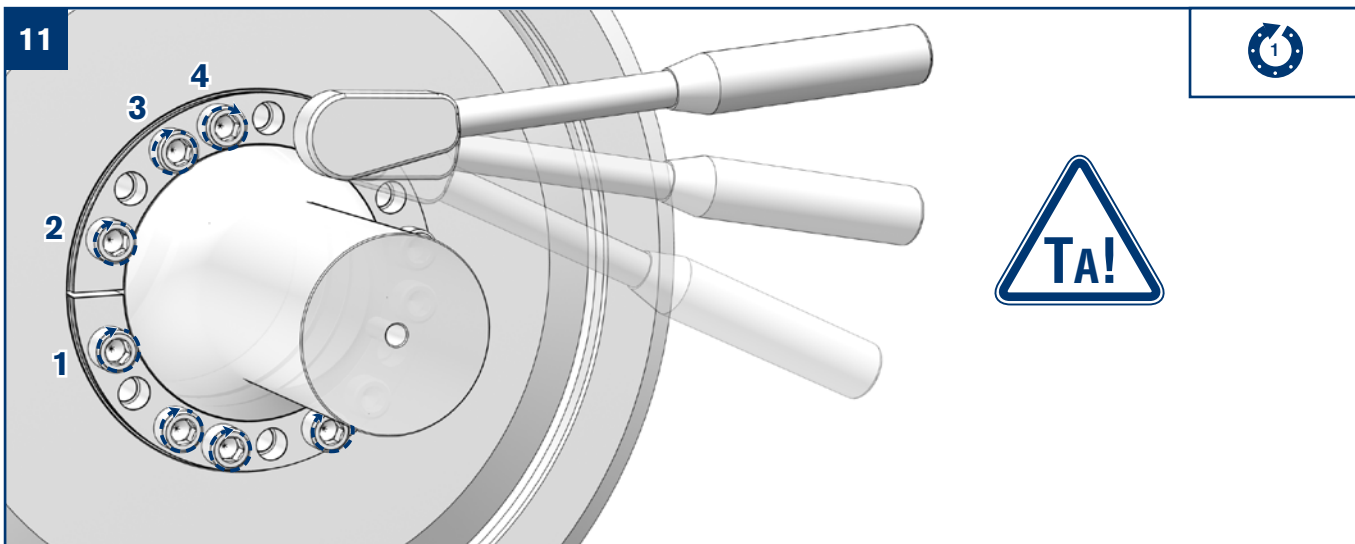
4







The two screws located directly to the left and right of the slit must be tightened first and one after the other.





**RINGFEDER POWER TRANSMISSION GMBH**

Werner-Heisenberg-Straße 18, 64823 Groß-Umstadt, Germany · Phone: +49 (0) 6078 9385-0 · Fax: +49 (0) 6078 9385-100  
E-Mail: sales.international@ringfeder.com

**RINGFEDER POWER TRANSMISSION USA CORP.**

165 Carver Avenue, Westwood, NJ 07675, USA · Toll Free: +1 888 746-4333 · Phone: +1 201 666-3320 · Fax: +1 201 664-6053  
E-Mail: sales.usa@ringfeder.com

**CARLYLE JOHNSON MACHINE COMPANY, LLC.**

291 Boston Turnpike, Bolton, CT 06043, USA · Phone: +1 860 643-1531 · Fax: +1 860 646-2645  
E-Mail: info@cjmco.com

**HENFEL INDÚSTRIA METALÚRGICA LTDA.**

Av. Maj. Hilário Tavares Pinheiro 3447, Pq. Ind. Carlos Tonanni, CEP 14871-300, Jaboticabal, SP, Brazil · Phone: +55 (16) 3209-3422  
E-Mail: vendas@henfel.com.br

**RINGFEDER POWER TRANSMISSION INDIA PVT. LTD.**

Plot No. B-26/2, SIPCOT Growth Centre, Vandalur Oragadam Road, Panapakkam Modu, Sriperumbudur Thaluk, Kancheepuram District, 602105, India · E-Mail: sales.india@ringfeder.com

**KUNSHAN RINGFEDER POWER TRANSMISSION CO. LTD.**

No. 406 Jiande Road, Zhangpu 215321, Kunshan, Jiangsu Province, China · Phone: +86 (0) 512 5745-3960  
Fax: +86 (0) 512 5745-3961 · E-Mail: sales.china@ringfeder.com

Partner for Performance  
[www.ringfeder.com](http://www.ringfeder.com)

