

EN

08.2019



Elastomer Jaw Couplings

RINGFEDER® TNM EBT, TNM ETW

Installation and Operation Manual



TNM EBT



TNM ETW

Content

Chapter	Page
1 Notes on safety	2
2 Function	3
2.1 Appropriate Use.....	3
3 Marking of the coupling	4
4 Storage	4
5 Construction	5
6 Technical data.....	6
7 Assembly	8
7.1 Pay attention before the assembly	8
7.2 Finished borehole	9
7.3 Installing coupling	10
8 Adjusting coupling	11
8.1 Angular misalignment ΔK_w	12
8.2 Radial displacement ΔK_r	12
8.3 Axial displacement.....	13
9 Operation	14
10 Maintenance	17
10.1 Wear Inspection on the Buffer Ring.....	17
10.2 Wear limit of elastic buffers.....	18
10.3 Changing the elastic intermediate ring	18
10.4 Assembly brake drum/disk	19
11 Waste Disposal	19

1 Notes on safety

The present assembly and operating instruction (AOI) constitutes a part of the coupling supply. Always keep the AOI near the coupling well accessible.

The German version of this manual is the predominant and binding version.

Make sure that all persons charged with the assembly, operating, service, and maintenance have read and understood the AOI and follow all the points:

- Avert hazards for body and life of the user and third parties.
- Ensure the operating safety of the coupling.
- Avoid the loss of use and environmental impairment through false handling.

In the case of transport, mounting, dismounting and maintenance, attention is to be paid to the relevant regulations for industrial safety and for environmental care.

The coupling may only be operated, mounted, serviced and maintained by authorised and trained personnel.

The user must take into account that the bolting elements of coupling parts may be adversely affected by the heat produced by a brake disk/ brake drum due to the resultant friction. Make sure that the combination of the employed brake lining with the material of the brake disk/ brake drum does not lead to sparks or impermissible thermal growth. The brake disk is normally made of steel, and the brake drum is normally made of cast iron with nodular graphite. In case of any doubt, please consult the supplier!

In the interest of further development, we reserve the right to make changes which serve technological progress.

By the use of accessories and spare parts, which were not originally manufactured by RINGFEDER POWER TRANSMISSION, we are not responsible for any resulting damage or liability or guarantee.

2 Function

The coupling RINGFEDER® TNM EBT, TNM ETW is a torsionally elastic and puncture-proof claw coupling.

It balances out angular, radial, and axial shaft misalignments within defined limits. The coupling transfers the torque via pressure loadable, elastic buffers of Perbunan (Pb) which are joined together as an intermediate ring.

The elastic intermediate ring can cushion impacts and torsional vibrations; it is oil-tight and electrically conductive.

The coupling is usable in every sense of rotation and installation position.

2.1 Appropriate Use

- The coupling must only be operated in normal industrial atmospheres. Since aggressive media may attack the coupling components, screws and elastic buffer rings, they represent a risk for the operational safety of the coupling. Consult RINGFEDER POWER TRANSMISSION in such cases.
- In order to ensure a faultless, lasting operation of the coupling it must be laid out according to the layout instructions e.g. DIN 740 part 2 (or also Product Paper & Tech Paper "Elastomer Jaw Couplings") with an operating facture corresponding to the operating conditions.
- Apart from incorporating a finished bore hole with parallel key groove (see "7.2 Finished borehole") no further changes can be carried out on the coupling.
- The coupling may only be used within the framework of the conditions defined in the performance and delivery contract.
- Every change of the conditions of use or the operating parameters necessitates a new verification of the coupling layout.

3 Marking of the coupling

The product line RINGFEDER® TNM has its hardness in Shore (A) indicated on the elastic intermediate ring.

4 Storage

On receipt of the goods, the supply is to be checked immediately for completeness and correctness. Possible damages incurred during transit and / or missing parts are to be notified in writing.

The coupling parts can be stored in their delivered standard-state for 6 months in a dry, roofed place at normal room temperature. For a longer storage duration a long-term preservation is necessary (consult RINGFEDER POWER TRANSMISSION). The elastic intermediate ring must not be subjected to ozone containing mediums, direct solar influence or strong light sources with ultraviolet-light. The relative humidity must not exceed 65%. In the case of proper storage the characteristics of the elastic intermediate ring remain unchanged for almost up to three years.

5 Construction

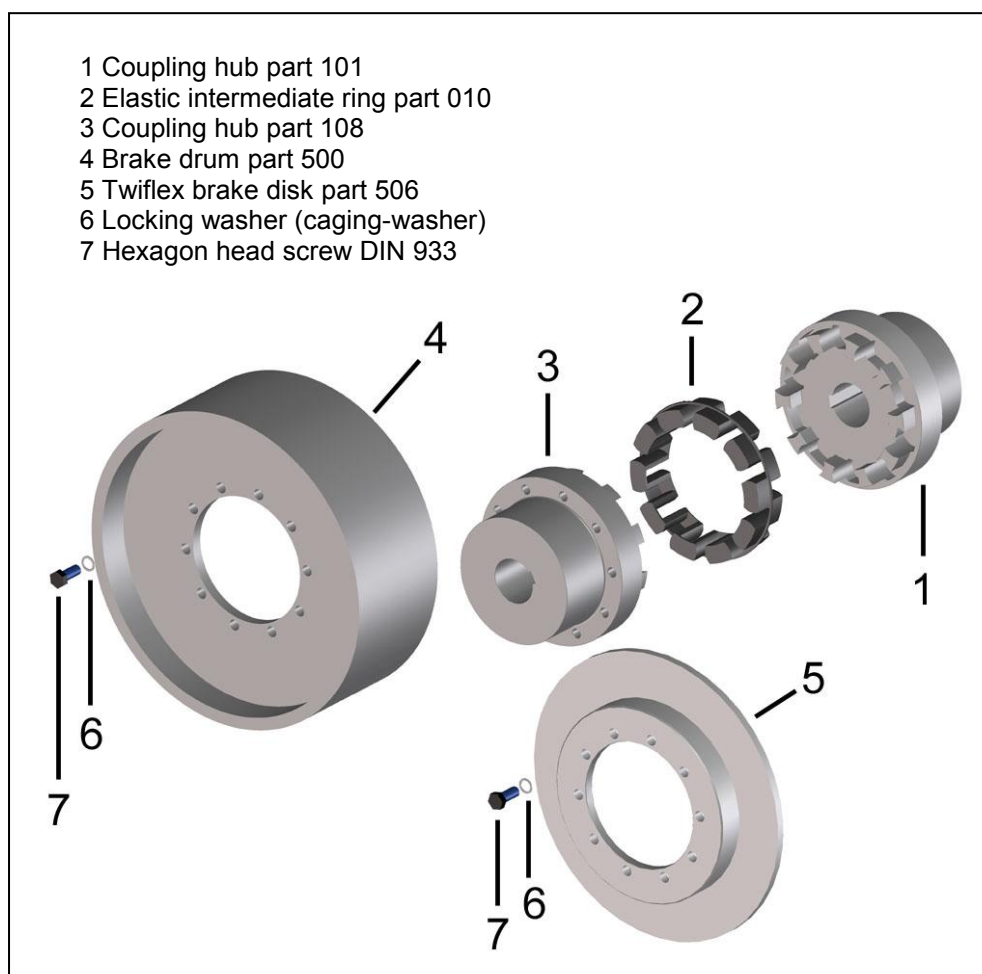


Fig. 1 Construction RINGFEDER® TNM EBT, TNM ETW

Details:

Coupling hub (Pos. 3) and brake drum/disk (Pos. 4/5) are delivered bolted together with locking washer (Pos. 6) and hexagon head screw (Pos. 7).
 Balanced parts are match marked to each other.

6 Technical data

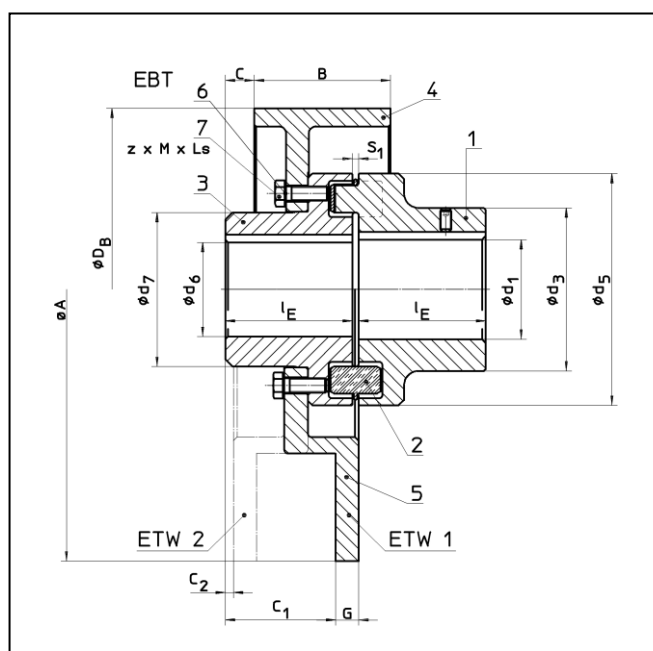


Fig. 2 RINGFEDER® TNM EBT, TNM ETW

Table 1 Technical Data:

size TNM	T _{Cnom} Pb72 [Nm]	T _{Cpeak} Pb72 [Nm]	T _{Cnom} Pb82 [Nm]	T _{Cpeak} Pb82 [Nm]
112	150	310	230	540
128	250	500	380	860
148	390	800	600	1350
168	630	1300	980	2250
194	1050	2000	1650	3630
214	1500	3100	2400	5400
240	2400	4800	3700	8650
265	3700	7500	5800	13500
295	4900	10000	7550	18000
330	6400	13000	9900	23400
370	8900	18200	14000	32750
415	13200	27000	20500	49000

Table 2 RINGFEDER® TNM EBT:

d ₅ [mm]	D _{B-B} [Nm]	T _{BR} [Nm]	n _{max} [min ⁻¹]	d ₁ max [mm]	d ₆ max [mm]	d ₃ [mm]	d ₇ [mm]	l _E [mm]	L _E [mm]	C [mm]	S ₁ [mm]	z x M x Ls DIN 933 8.8	MA [Nm]	m undrilled [kg]
112	200-75	450	4200	48	42	79	68	60	123,5	11,0	3,5±1,0	6 x M8 x 20	25	9,9
128	200-75	550	4200	55	52	90	85	70	143,5	16,0	3,5±1,0	6 x M8 x 25	25	13,0
148	250-95	1000	3400	65	58	107	94	80	163,5	16,0	3,5±1,0	6 x M10 x 25	49	21,1
168	250-95	1600	3400	75	72	124	118	90	183,5	19,0	3,5±1,5	8 x M10 x 30	49	27,7
	315-118		2700							8 x M10 x 30		36,9		
194	315-118	2750	2700	85	85	140	138	100	203,5	16,5	3,5±1,5	8 x M12 x 30	85	44,7
214	315-118	3350	2700	95	92	157	153	110	224,0	19,0	4,0±2,0	9 x M12 x 35	85	55,0
	400-150		2100							12,5				70,8
240	450-150	4200	2100	110	102	179	168	120	244,0	18,0	4,0±2,0	10 x M12 x 35	85	84,4
	500-190		1700							9,0				111,4
265	500-190	8700	1700	120	120	198	198	140	285,5	22,0	5,5±2,5	10 x M16 x 40	210	134,1
295	500-190	9800	1700	130	130	214	214	150	308,0	30,0	8,0±2,5	10 x M16 x 40	210	153,9
	630-236		1360							5,0		10 x M16 x 45	210	207,5
330	630-236	10600	1360	150	150	248	248	160	328,0	11,0	8,0±2,5	10 x M16 x 45	210	243,1
	710-265		1200							0,0				281,3
370	710-265	13500	1200	170	170	278	278	180	368,0	15,0	8,0±2,5	11 x M16 x 45	210	366,2
415	710-265	16000	1200	190	185	315	308	200	408,0	25,0	8,0±2,5	12 x M16 x 55	210	415,4

Table 3 RINGFEDER® TNM ETW:

d ₅ [mm]	A-G [Nm]	T _{BR} [Nm]	n _{max} [min ⁻¹]	d ₁ max [mm]	d ₆ max [mm]	d ₃ [mm]	d ₇ [mm]	l _E [mm]	L _E [mm]	C ₁ [mm]	C ₂ [mm]	S ₁ [mm]	z x M x Ls DIN 933 8.8	MA [Nm]	m undrilled [kg]
112	250-12,7	450	4580	48	42	79	68	60	123,5	55,8	2,5	3,5±1,0	6 x M8 x 16	25	8,8
	300-12,7		53,8							-2,5	6 x M8 x 22		11,7		
128	300-12,7	550	3820	55	52	90	85	70	143,5	60,8	4,5	3,5±1,0	6 x M8 x 25	25	14,6
148	300-12,7	1000	3820	65	58	107	94	80	163,5	67,8	11,5	3,5±1,0	6 x M10 x 25	49	18,4
168	356-12,7	1600	3225	75	72	124	118	90	183,5	81,8	2,5	3,5±1,5	8 x M10 x 30	49	28,7
	406-12,7		84,8							31,5					
194	406-12,7	2750	2825	85	85	140	138	100	203,5	90,8	8,5	3,5±1,5	8 x M12 x 30	85	39,9
	457-12,7		87,8							44,9					
214	406-12,7	3350	2825	95	92	157	153	110	224,0	96,8	14,5	4,0±2,0	9 x M12 x 30	85	49,6
	457-12,7		93,8							9 x M12 x 35			54,6		
240	457-12,7	4200	2510	110	102	179	168	120	244,0	100,8	21,5	4,0±2,0	10 x M12 x 35	85	67,1
	514-12,7		2230												73,1
265	457-12,7	8700	2510	120	120	198	198	140	285,5	115,8	36,5	5,5±2,5	10 x M16 x 35	210	90,5
	514-12,7		2230												95,5
295	514-12,7	9800	2230	130	130	214	214	150	308,0	123,8	44,5	8,0±2,5	10 x M16 x 35	210	115,4
	610-12,7		1880												126,4
330	514-12,7	10600	2230	150	150	248	248	160	328,0	129,8	50,5	8,0±2,5	10 x M16 x 40	210	150,9
	610-12,7		1880												161,9
370	610-12,7	13500	1880	170	170	278	278	180	368,0	143,8	64,5	8,0±2,5	11 x M16 x 40	210	215,0
	711-12,7		140,8							11 x M16 x 45			230,7		
415	610-12,7	16000	1880	190	185	315	308	200	408,0	160,8	81,5	8,0±2,5	12 x M16 x 40	210	282,0
	711-12,7		157,8							12 x M16 x 45			297,3		
	812-12,7		151,8							12 x M16 x 50			330,4		
	915-12,7									12 x M16 x 50			360,8		

The torque T_{Cnom} and T_{Cpeak} is valid for:

- Intermediate rings of Perbunan Pb72 and/or Pb82,
- Ambient temperatures of -30 °C to +60 °C,
- Operation within the stipulated alignment values.

During the layout of the coupling according to DIN 740 part 2 (or also Product Paper & Tech Paper "Elastomer Jaw Couplings") different factors must be considered:

- with higher temperatures a corresponding temperature factor S_U
- according to the starting frequency a starting factor S_z
- in dependence on the operating conditions an impact factor, S_A, S_L

With circumferential speeds of more than 22 m/s, we recommend to balance the coupling.

7 Assembly

7.1 Pay attention before the assembly



- **Danger of injuries!**
 - **Disconnect the drive before carrying out any work on the coupling!**
 - **Secure the drive against unintentional re-start and rotation!**
 - **Incorrectly tightened bolts can cause serious personal injuries and property damages!**
 - **Assemble the coupling outside of the danger zone. Take care that suitable transportation means are at disposal and that the transportation ways are free of obstacles.**
 - **In compliance with accident prevention regulations, you are obliged to protect all freely rotating parts by means of permanently installed guards/ covers against unintentional contact and falling down objects.**
 - **To avoid sparks, the covers for couplings used should be made of stainless steel!**
 - **As a minimum, the covers have to fulfil the requirements of protection type IP2X.**
 - **The covers have to be designed to prevent dust from depositing on the coupling.**
 - **The cover must not contact the coupling or impair the proper function of the coupling.**
-
- Make sure that the intended rotational speeds and torques as well as the ambient temperatures do not exceed the values indicated in “6 Technical Data”.
 - The maximum permissible borehole diameter must not be exceeded.
 - Check whether the shaft hub connections can safely transmit the occurring operating torques.
 - The standard RINGFEDER® TNM tolerance for the finished boreholes is fit H7.
 - Standard parallel key slot is according to DIN 6885 page 1.
 - Check the dimensions and tolerances of shafts, hub boreholes, parallel key and slot.
 - Adjust setscrews as required.

7.2 Finished borehole

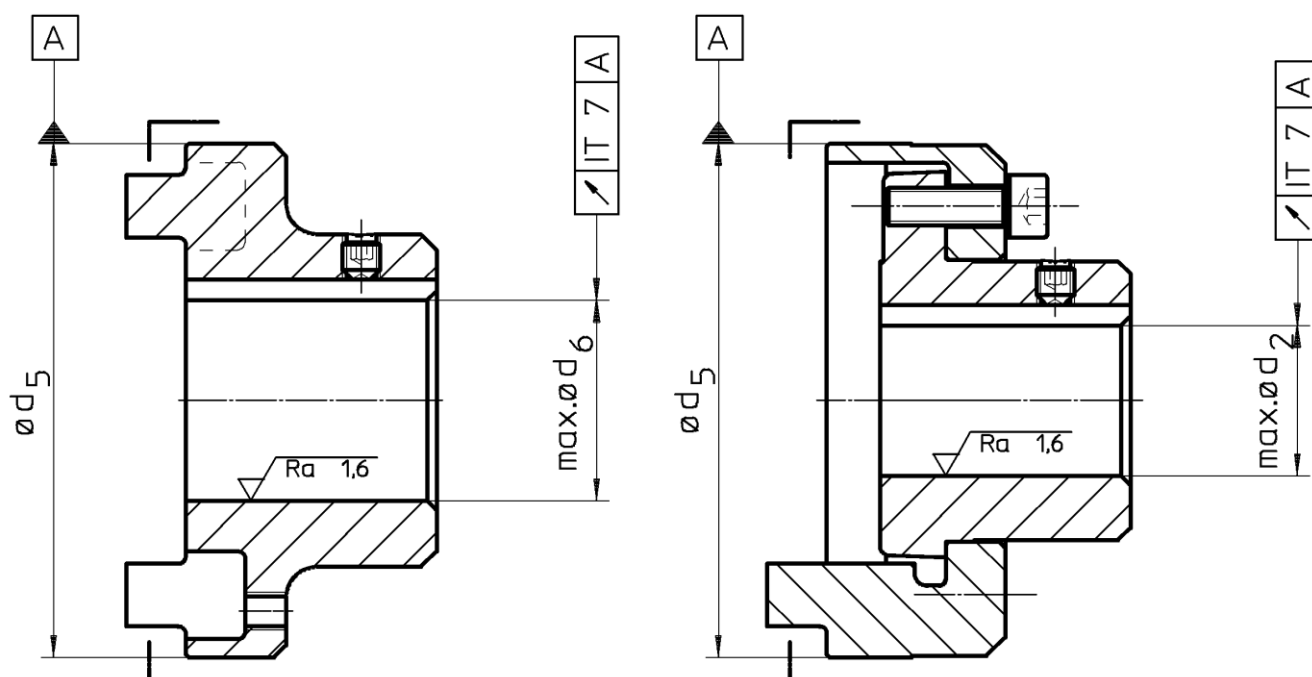
For the completion of the finished borehole in a coupling hub, pay attention to following procedure:

- Clean the coupling hub of preservatives.
- Tighten the coupling hub to the faces labelled with **A** and carefully align the coupling hub.
- The indicated values in table 2 and 3 for $\varnothing d_{1max}$ and $\varnothing d_{6max}$ are valid for a parallel key connection according to DIN 6885/1 and must not be exceeded.
- Choose the borehole fit so that during the union with the shaft tolerance a wringing fit and/or an interference fit as for example at H7/m6 is carried out.
- Provide a setscrew for axial securing on the hub back above the parallel key slot.

In the case of other shaft hub connections consultation with RINGFEDER POWER TRANSMISSION is necessary.



- **The maximum indicated borehole diameters are valid for a parallel key connection according to DIN 6885/1 and must not be exceeded.**
- **In the case of transgression of these values the coupling can sever.**
- **Through flying away fragments danger exists!**



7.3 Installing coupling

- Remove the elastic intermediate ring (Figure 3, pos. 1).
- Clean the borehole of the flange hub and the shaft end before installing. The surfaces must be clean, dry and grease-free.
- Use suitable installation aids and hoists such as cranes or pulley blocks in the case of bigger couplings.
- Pull the pre-mounted coupling halves in the intended position on the shaft ends (Figure 3, pos. 2).

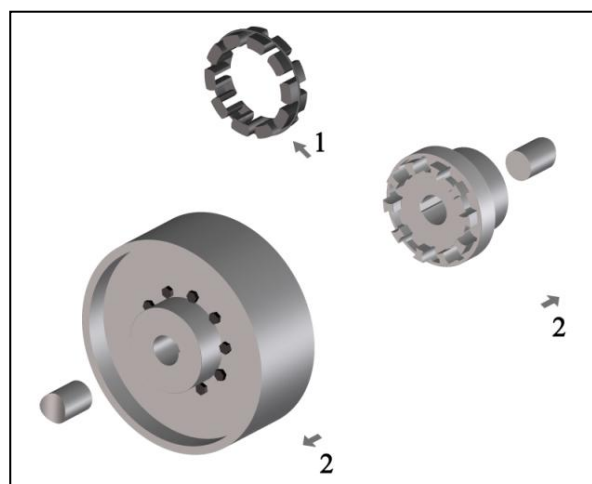


Fig. 3

Reference:

For easier installation a uniform warming of the hub to 80 °C to 120 °C is safe.



- **Warning!**
- **Only work with gloves as a protection against hot parts of the coupling!**

- Mount the hub so that the shaft ends are flush with the interior borehole opening (Figure 4). Pay attention to possible differing agreements!
- Secure possible available set-screws by tightening with an adhesive e.g. Loctite 222 against automatic loosening and flying out.

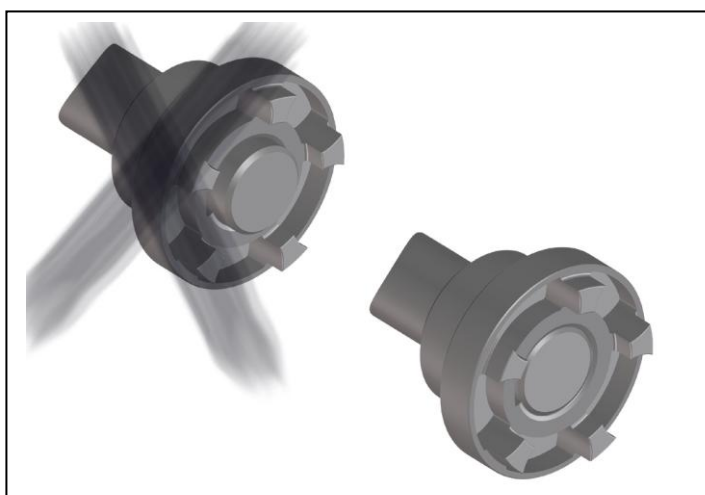


Fig. 4

ATTENTION!

Let the hot hub cool off to ambient temperature before the introduction of the intermediate ring.

- For easier mounting the elastic intermediate ring can be provided with a slip additive (e.g. Talcum) before introduction.
- Fit the intermediate ring into one half of the coupling
- Push the shaft end with the mounted coupling halves together (Figure 5).
- Adjust the coupling according to the following specifications in “8 Coupling adjustment”.

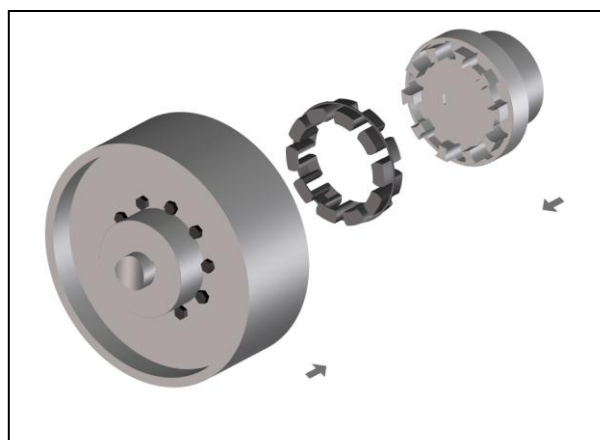


Fig. 5

8 Adjusting coupling



- **Injury hazard!**
- **Switch-off the drive before all work on the coupling!**
- **Secure the drive against unintentional switching on and rotating!**
- **Reference:**
- **An exact alignment of the coupling increases the service life of the elastic intermediate ring.**
- **Do not exceed the maximum permissible displacement values. The overstepping of these values results in coupling damage and breakdown!**

- When aligning the cold equipment take into account the expected thermal growth of the components, so that the permissible misalignment values for the coupling are not exceeded in operation.
- Be aware that the coupling under misalignment imposes restoring forces on the adjacent shafts and bearings. Take into account that the larger the misalignment, the greater the restoring forces will be.
- The displacements values indicated in the tables 4 to 6 are maximum permissible guide numbers.

We recommend not to fully utilise these values during the alignment, so that in operation sufficient reserves remain for thermal expansions, foundation settlements etc.

- In special cases with high demands on quiet running or high rotating speeds it is possible that, in the three displacement levels, an alignment accuracy of $\leq 0,1$ mm is necessary.
- If the coupling is mounted in a closed housing / casing so that a subsequent alignment is not possible any more, it must be guaranteed that the geometry and fit accuracy of the contact surfaces in operation aligns the shafts exactly within the mentioned tolerances.

8.1 Angular misalignment ΔK_w

- Measure on the face of the external diameter a complete rotation (360°). Determine in this case the greatest deviation ΔK_{w1} as well as the smallest deviation ΔK_{w2} (Figure 6).
- Calculate the angular misalignment $\Delta K_w = \Delta K_{w1} - \Delta K_{w2}$.
- The values in table 4 are valid for a reference rotation speed of 1500 min^{-1} .

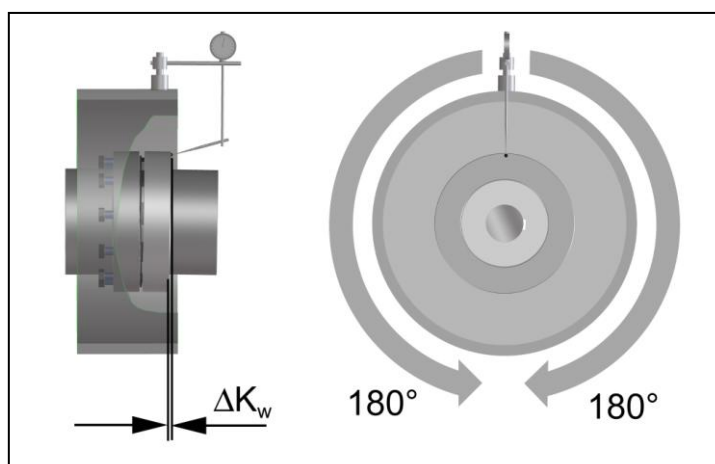


Fig. 6

Table 4 Maximum permissible displacement values - angular:

Size	112	128	148	168	194	214	240	265	295	330	370	415
$\Delta K_{w \text{ max}}$ [mm]	0,3	0,3	0,3	0,3	0,3	0,3	0,3	0,3	0,3	0,3	0,3	0,3

8.2 Radial displacement ΔK_r

- Measure a complete rotation (360°). Determine in this case the greatest deviation ΔK_{r1} as well as the smallest deviation ΔK_{r2} (Figure 7).
- Calculate the radial displacement $\Delta K_r = 0,5 \times (\Delta K_{r1} - \Delta K_{r2})$. Pay attention to the operational sign of the measured values.
- The values of table 5 are valid for a reference rotation speed of 1500 min^{-1} .

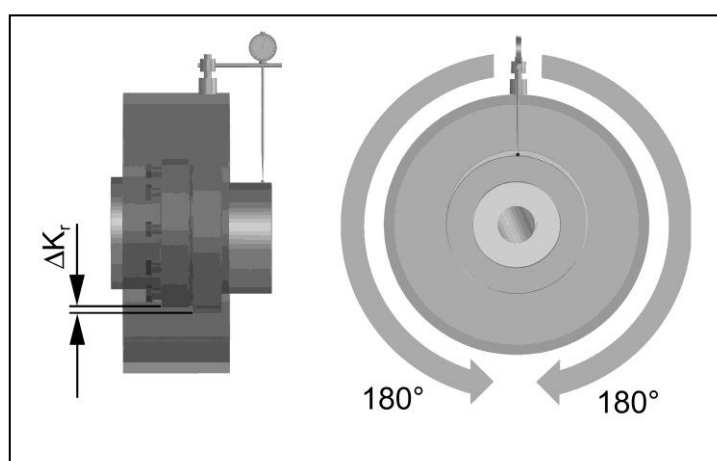


Fig. 7

Table 5 Maximum permissible displacement values - radial:

Size	112	128	148	168	194	214	240	265	295	330	370	415
$\Delta K_r \text{ max}$ [mm]	0,3	0,3	0,3	0,3	0,3	0,3	0,3	0,3	0,3	0,3	0,3	0,3

8.3 Axial displacement

- Measure the axial S_1 gap measurement according to figure 8.
- Keep, when aligning the gap measurement S , to the maximum permissible tolerance X according to table 6.

ATTENTION!

If greater axial displacements are expected in operation, consultation with RINGFEDER POWER TRANSMISSION is necessary.

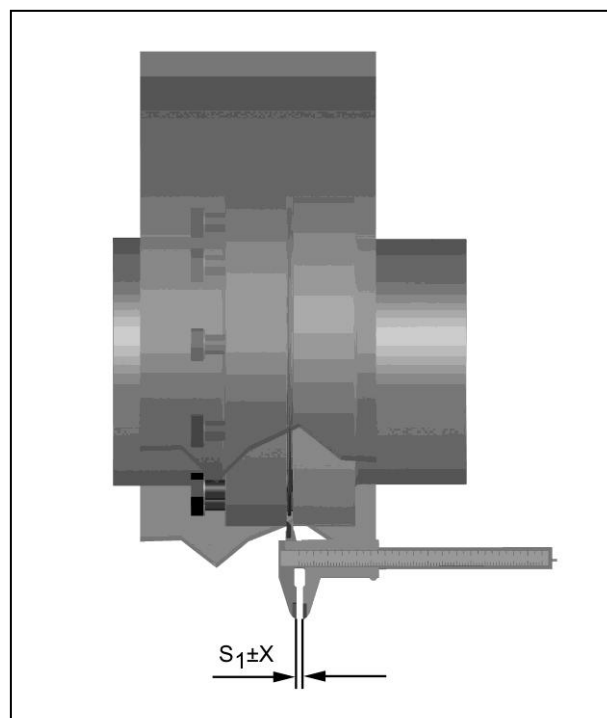


Fig. 8

Table 6 Recommended alignment values - axial:

Size	112	128	148	168	194	214	240	265	295	330	370	415
S [mm]	3,5	3,5	3,5	3,5	3,5	4	4	5,5	8	8	8	8
X [mm]	±1	±1	±1	±1,5	±1,5	±2	±2	±2,5	±2,5	±2,5	±2,5	±2,5

9 Operation

When using the coupling attention is to be paid to its characteristics (see „6 Technical data“). These can in no case be exceeded without having a written agreement from RINGFEDER POWER TRANSMISSION. In order to guarantee a faultless, lasting operation of the coupling, it must be laid out according to the regulations e.g. DIN 740 part 2 (or according to Product Paper & Tech Paper „Elastomer Jaw Couplings“) with an operating factor corresponding to its operating conditions. Every change of the conditions of use or the operating parameters makes an inspection of the coupling layout urgently necessary.



- **Injury danger!**
- **Switch-off the drive before all work on the coupling!**
- **Secure the drive against unintentional switch-on and rotating!**
- **Due to incorrectly tightened screws parts can fly away and cause serious injuries to persons and damage to material!**
- **Check before commissioning the coupling the alignment and all screw fastenings for their specified tightening torque and/or firm seating!**
- **Before commissioning the plant install all protective devices against unintentional touching of free moving and/or rotating parts.**
- **To avoid sparks coverings in stainless steel should be used.**
- **The coverings must fulfil at least the protection type IP2X.**
- **The covering is to be so designed that it does not deposit dust onto the coupling parts.**
- **The covering must not touch the coupling or influence it in its functioning.**

Pay attention during the operation of the coupling to:

- Changed running noises
- Occurring vibrations

Attention!

- **If irregularities are found during operation of the coupling, the drive must be immediately switched off.**
- Detect according to the following table 7, „Operating faults and their possible causes“ the faults and remove.
The listed faults are some examples which are supposed to facilitate fault location.
- **For fault finding and elimination all machine components and operating states are to be considered!**

Table 7 Operating faults and their possible causes:

Trouble	Cause	Risk Warning	Correction
Irregular running noises/ vibrations	Alignment fault	Considerable increase in coupling temperature. Premature wear of elastic buffers. Increased reaction forces act on connected machines.	<ul style="list-style-type: none"> - Disconnect drive - Remove cause for alignment fault - Re-align coupling - Inspect elastomer for wear
	Elastomer worn out	Coupling claws strike against each other. Spark formation, claw fracture, increased reaction forces.	<ul style="list-style-type: none"> - Disconnect drive - Check coupling components for damages and replace parts, if necessary - Replace elastomer
	Unbalance	Considerable increase in coupling temperature. Premature wear of elastic buffers. Increased reaction forces act on connected machines	<ul style="list-style-type: none"> - Disconnect drive - Verify balance state of plant components and correct it, if necessary - Inspect elastomer for wear
	Loose screw connections	Flying off parts can cause serious injuries and considerable damages.	<ul style="list-style-type: none"> - Disconnect drive - Check coupling parts for damages, replace parts, if necessary - Verify alignment of coupling - Tighten screws to the specified tightening torque and secure them against working loose, if necessary, - Inspect elastomer for wear
Premature wear of elastomer	Alignment fault	Considerable increase in coupling temperature. Increased reaction forces act on connected machines.	<ul style="list-style-type: none"> - Disconnect drive - Remove cause for alignment fault - Re-align coupling - Inspect elastomer for wear

Trouble	Cause	Risk Warning	Correction
	Unacceptable temperatures	Material properties of elastic buffers change. The torque transmission capability is adversely affected.	<ul style="list-style-type: none"> - Disconnect drive - Replace elastomer - Re-align coupling - Adjust ambient temperature
	Contact with aggressive products	Material properties of elastic buffers change. The torque transmission capability is adversely affected.	<ul style="list-style-type: none"> - Disconnect drive - Check coupling parts for damages and replace parts, if necessary - Replace elastomer - Verify alignment of coupling - Prevent contact with aggressive products
	Torsional vibrations in the drive line	Considerable increase in coupling temperature. Premature wear of elastic buffers. Increased reaction forces act on connected machines.	<ul style="list-style-type: none"> - Disconnect drive - Analyse and eliminate cause for torsional vibrations - Check coupling parts for damages and replace parts, if necessary - Replace elastomer and consult RINGFEDER POWER TRANSMISSION concerning eventual use of another Shore-hardness - Verify coupling alignment
Claw breakage	Wear limit of elastomer exceeded ====> contact of claws	Coupling is destroyed. Connected machines can be affected, too.	<ul style="list-style-type: none"> - Disconnect drive - Replace coupling - Inspect the elastomer for wear at shorter intervals
	Overload due to too high torque	Coupling is destroyed. Connected machines can be affected, too.	<ul style="list-style-type: none"> - Disconnect drive - Verify coupling design in cooperation with RINGFEDER POWER TRANSMISSION - Replace coupling - Install larger coupling, if necessary

10 Maintenance

The elastic coupling RINGFEDER® TNM EBT, TNM ETW have in operation a low-maintenance. Reaching the wear limit of the elastic intermediate ring depends on the operating parameters and the conditions of use.

In the case of routine monitoring work on the plant check:

- Alignment of the coupling
- Elastomer state
- Remove dust deposits from the coupling parts and the intermediate ring

10.1 Wear Inspection on the Buffer Ring



- **Danger of injuries!**
- **Disconnect the drive before carrying out any work on the coupling!**
- **Secure the drive against unintentional switching on and rotating!**

Perform a visual inspection and a wear inspection of the buffer ring after 2000 hours, or after 3 months at latest, after the first start-up of the equipment. If only minor wear or no wear is observed, further inspections of the plant can be carried out at regular intervals of 4000 hours, however, at least once a year, if the operating modes and conditions of the plant remain unchanged. However, should you observe excessive wear on the occasion of this first inspection already, check whether the cause for the problem is listed in table 7 “Operation faults and possible causes”. In such a case, the inspection intervals must be adapted to the prevailing service conditions.

On the occasion of routine inspections or maintenance work on the drive equipment, or after 3 years at latest:

- Replace the elastic buffer ring.
- If the wear limit has been reached or exceeded, replace the buffer ring immediately, irrespective of the inspection intervals of the equipment.
- Check the alignment of the coupling.
- Remove dust deposits from the coupling components and buffer ring.

10.2 Wear limit of elastic buffers

Replace the elastic buffer ring as soon as the coupling has a distinct torsional backlash, or if the minimum buffer thickness (PD_{min} , Fig. 9) acc. to table 8 has been reached.

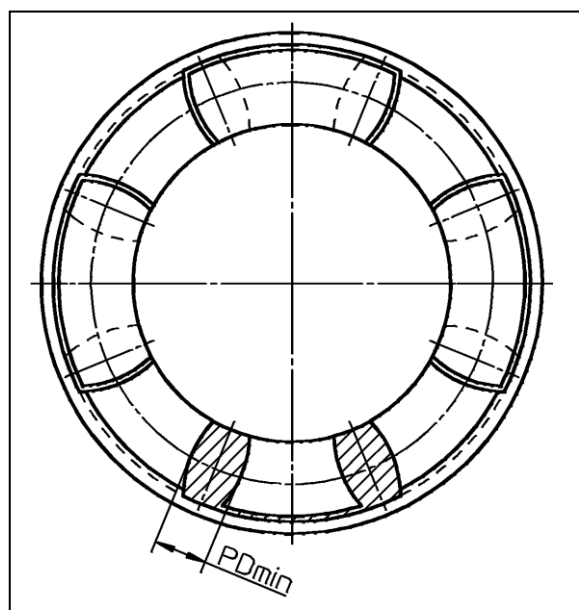


Fig. 9 Buffer thickness

Table 8 Minimum buffer thickness PD_{min} :

Size	112	128	148	168	194	214	240	265	295	330	370	415
PD_{min} [mm]	9	9	10	10	10	10	11	12	13	14	16	17

10.3 Changing the elastic intermediate ring



- **Injury hazard!**
- **Switch-off the drive before all work on the coupling!**
- **Secure the drive against unintentional switching on and rotating!**

- Pull back a shaft with mounted coupling hub (Figure 10, Pos. 2).
- Remove the intermediate ring (Figure 10, Pos. 1).
- For easier mounting, the new intermediate ring can be provided with a slip additive before introduction (e.g. Talcum).
- Insert a new intermediate ring.
- Push the coupling halves together again.
- Adjust the coupling according to the specifications in "8 Coupling adjustment".

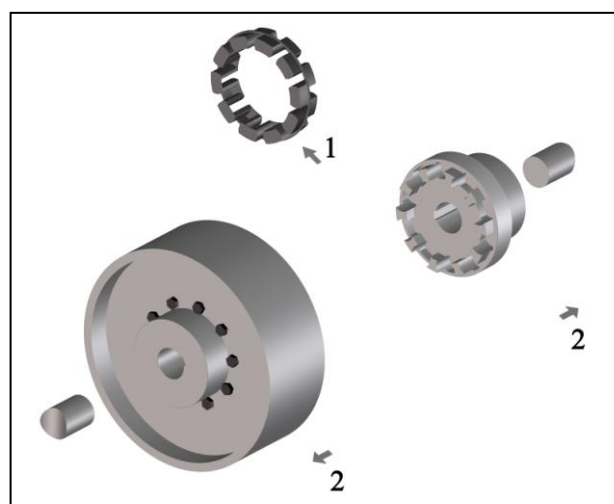


Fig. 10

10.4 Assembly brake drum/disk

Attention!

The contact surfaces of coupling hub and brake drum/disk must be clean, dry and free of grease. Balanced parts are match marked to each other.

- Place the brake drum/disk in their proper position as marked. Make sure that the parts do not get canted at the centering seats when joining them.
- Slightly tighten the screws.
- Tighten the screwed connections of brake drum/disk to the proper torque M_{A-BS} specified in table 9.
- Check the alignment of the coupling according to the instructions given in chapter 8 „Coupling Alignment“.

Table 9 Tightening torques M_{A-BS} for brake drum/disk threaded joints:

Size	112	128	148	168	194	214	240	265	295	330	370	415
DIN 933- 8.8	8	8	10	10	12	12	12	16	16	16	16	16
M_{A-BS} [Nm]	25	25	49	49	85	85	85	210	210	210	210	210



Warning!

- Before commissioning the plant install all protective devices against unintentional touching of free rotating parts.
- To avoid sparks coverings in stainless steel should be used.
- The coverings must fulfil at least the protection type IP2X.
- The covering is to be so designed that it does not deposit dust onto the coupling parts.
- The covering must not touch the coupling or influence it in its functioning.

When using accessories and spare parts which were not originally manufactured by RINGFEDER POWER TRANSMISSION, no liability or guarantee for any damages will be accepted.

11 Waste Disposal

The waste disposal has to occur according to the specific regulations of the respective user country.

RINGFEDER POWER TRANSMISSION GMBH

Werner-Heisenberg-Straße 18, D-64823 Groß-Umstadt, Germany · Phone: +49 (0) 6078 9385-0 · Fax: +49 (0) 6078 9385-100
E-mail: sales.international@ringfeder.com

RINGFEDER POWER TRANSMISSION TSCHAN GMBH

Zweibrücker Straße 104, D-66538 Neunkirchen, Germany · Phone: +49 (0) 6821 866-0 · Fax: +49 (0) 6821 866-4111
E-mail: sales.tschan@ringfeder.com

RINGFEDER POWER TRANSMISSION USA CORPORATION

165 Carver Avenue, Westwood, NJ 07675, USA · Toll Free: +1 888 746-4333 · Phone: +1 201 666 3320 · Fax: +1 201 664 6053
E-mail: sales.usa@ringfeder.com

HENFEL INDÚSTRIA METALÚRGICA LTDA.

Av. Major Hilário Tavares Pinheiro, 3447 · CEP 14871 300 · Jaboticabal - SP - Brazil · Phone: +55 (16) 3209-3422
E-mail: vendas@henfel.com.br

RINGFEDER POWER TRANSMISSION INDIA PRIVATE LIMITED

Plot No. 4, Door No. 220, Mount - Poonamallee Road, Kattupakkam, Chennai – 600 056, India
Phone: +91 (0) 44-2679 1411 · Fax: +91 (0) 44-2679 1422 · E-mail: sales.india@ringfeder.com

KUNSHAN RINGFEDER POWER TRANSMISSION COMPANY LIMITED

NO. 406 Jiande Road, Zhangpu 215321, Kunshan, Jiangsu Province, China
Phone: +86 (0) 512-5745-3960 · Fax: +86 (0) 512-5745-3961 · E-mail: sales.china@ringfeder.com

Partner for Performance
www.ringfeder.com

