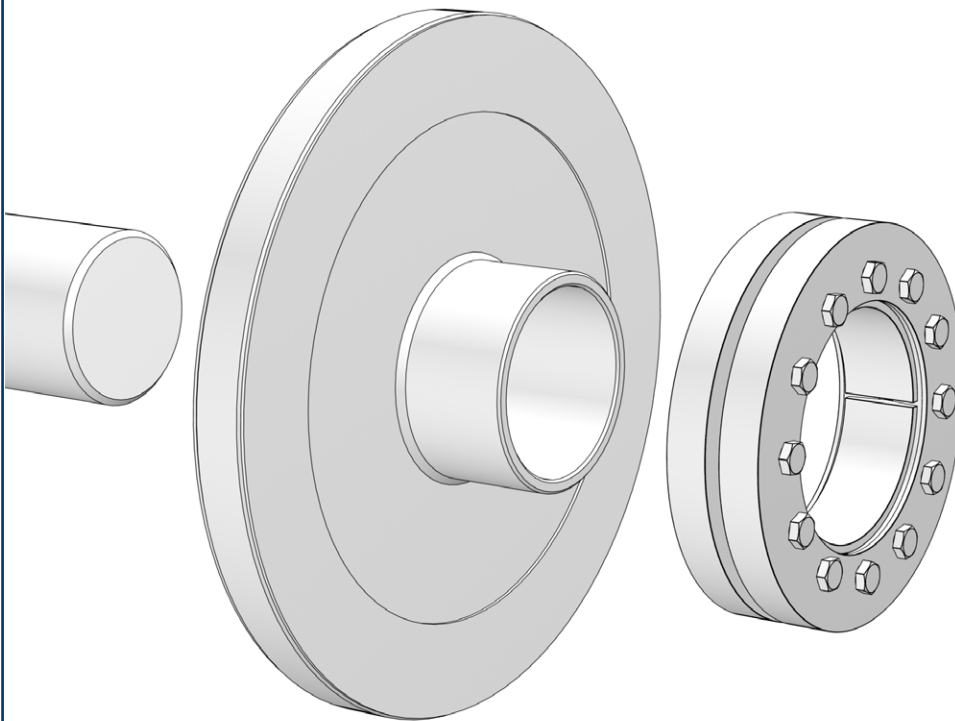


# Shrink Discs, 3-part **RINGFEDER® RfN 4051, RfN 4061, RfN 4071, RfN 4073, RfN 4091**

**Assembly, Disassembly, Re-Assembly**



including  
**Stainless Steel Designs**



**RfN 4051**



**RfN 4061**



**RfN 4071**



**RfN 4073**



**RfN 4091**

## Safety instructions

Rotating machine parts may injure operators and service staff!  
Therefore:

- Switch off the drive before assembly work.
- Safeguard the machine against accidental switch-on.
- Mount all covers and protection devices before switching on the machine.
- RINGFEDER® products may only be mounted by specialist staff and for suitable applications.

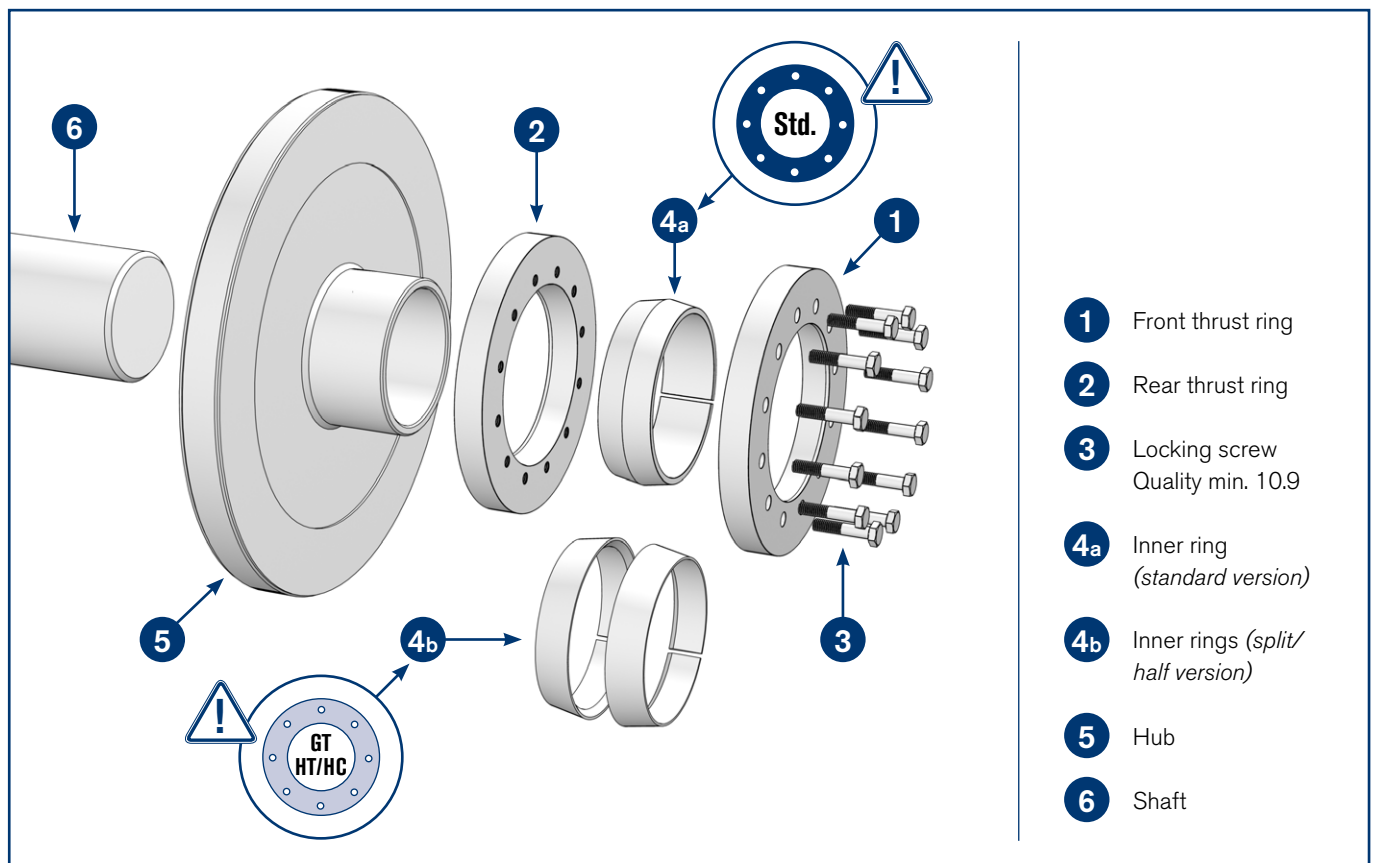
## Attention

- Please read these instructions through carefully.
- In the event of infringement of these notes all claims of liability will become void.
- RINGFEDER POWER TRANSMISSION reserves the right to technical changes to improve the product.
- RINGFEDER® Shrink Discs are accepted state of the art.

**If you experience problems or have any questions, our technical and service staff will be happy to assist you. See the reverse of these instructions for the corresponding contact information.**

## Used Lubricants

Designation	CAS-Number (RoHS)
Molykote „G Rapid Plus“ or comparable lubricant ( $\mu = 0,05$ )	1305-62-0



- 1 Front thrust ring
- 2 Rear thrust ring
- 3 Locking screw  
Quality min. 10.9
- 4a Inner ring  
(standard version)
- 4b Inner rings (split/  
half version)
- 5 Hub
- 6 Shaft

## Legend



Assembly



Disassembly



Re-Assembly



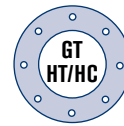
Cleaning



Oil hub and shaft lightly, if necessary (*do not use oil containing MoS2*).



only standard version



only split/half version



Repeat the described procedure as many times as specified.



Grease marked surfaces with Molykote



Check for permissible peak-to-valley height.



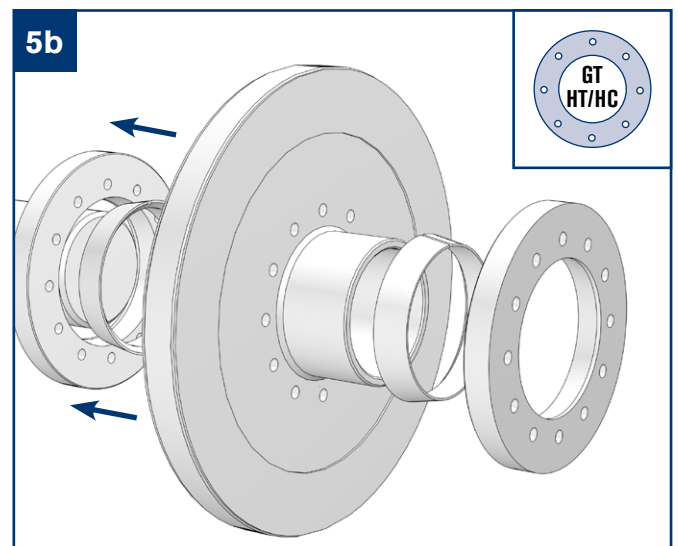
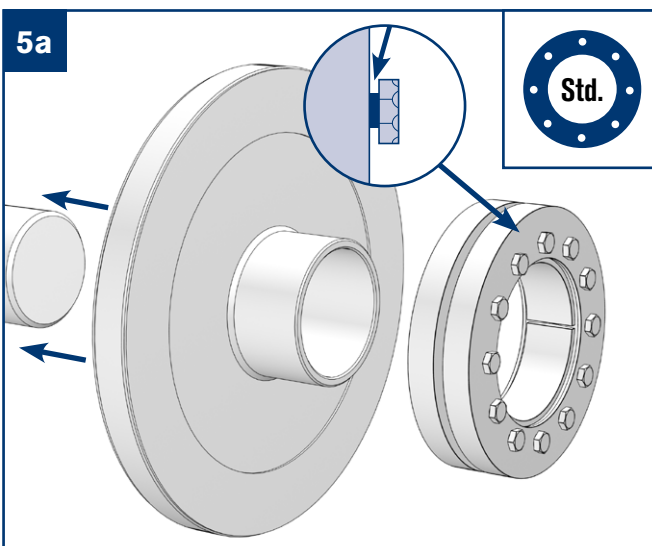
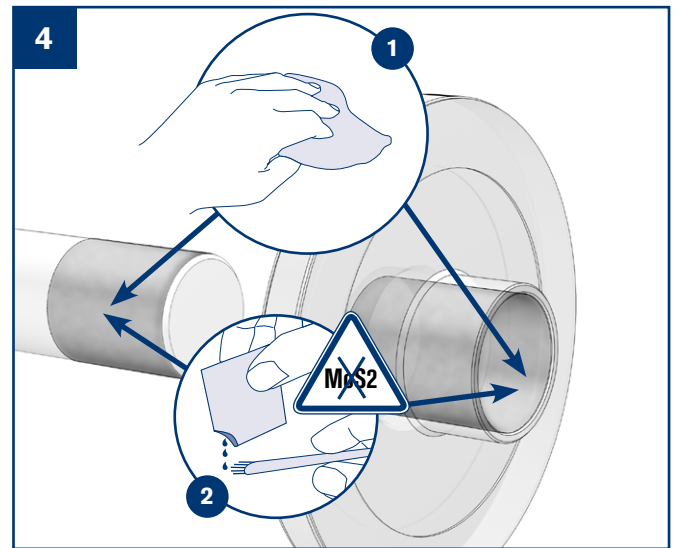
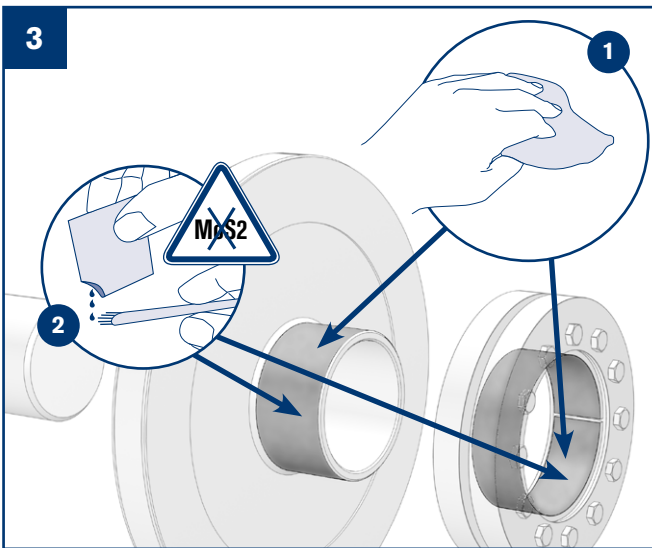
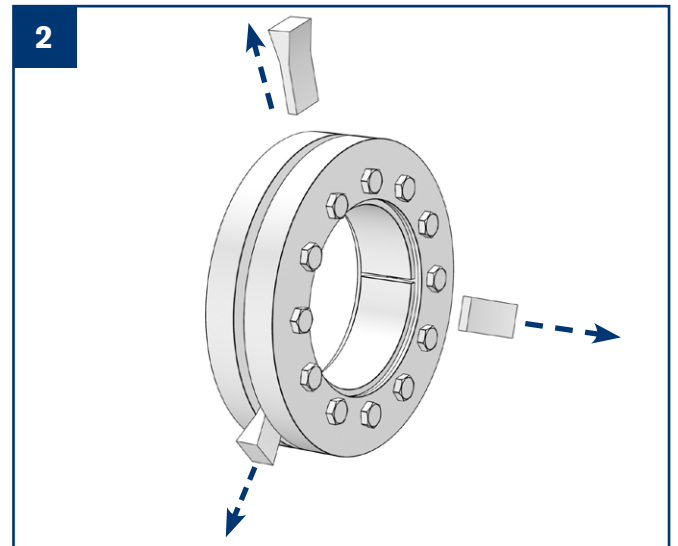
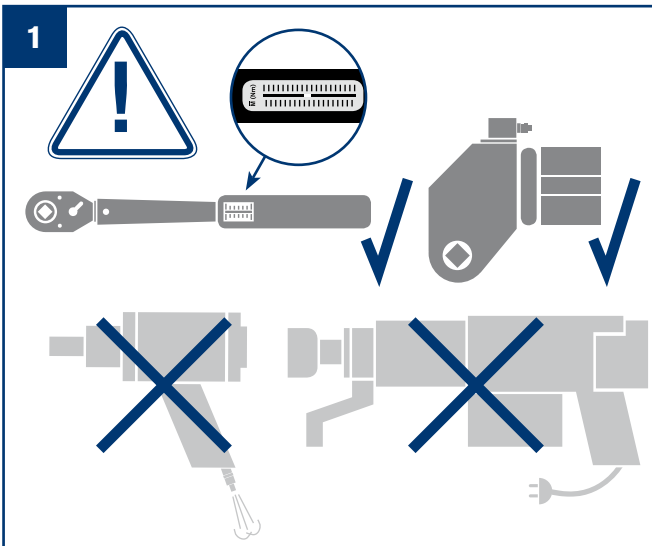
Loosen bolts slightly

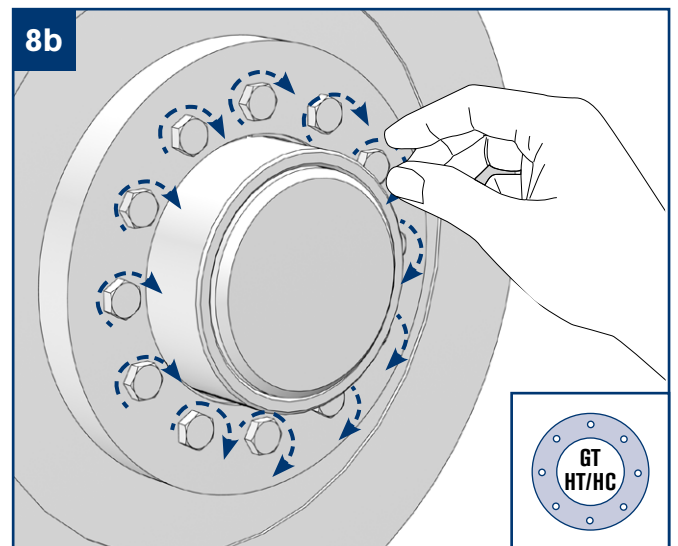
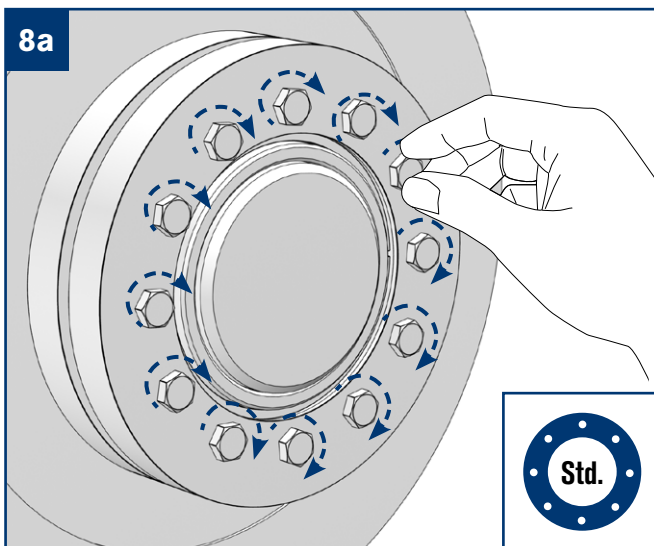
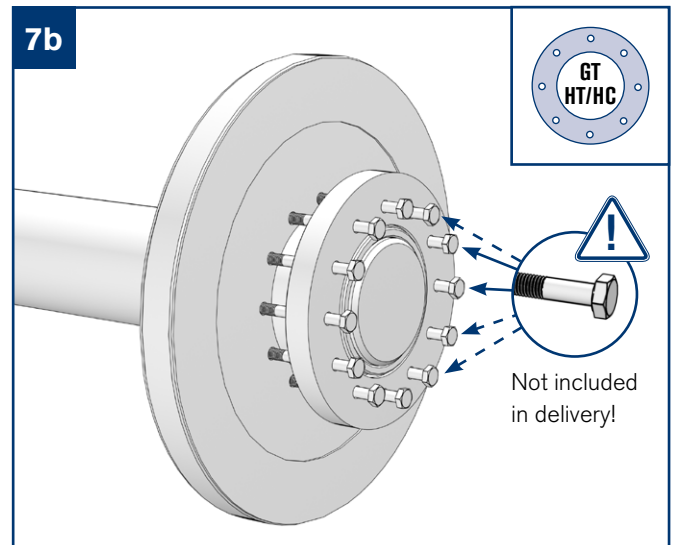
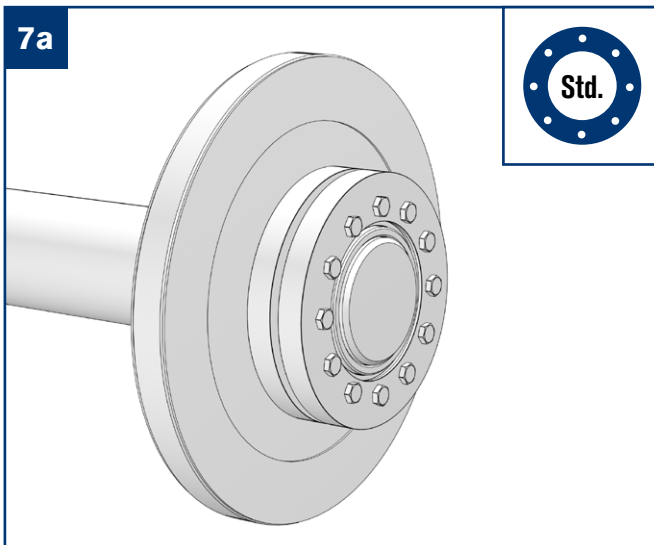
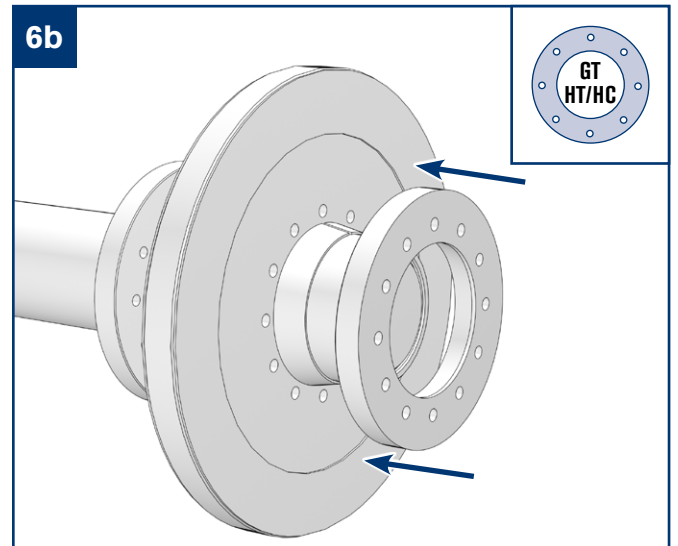
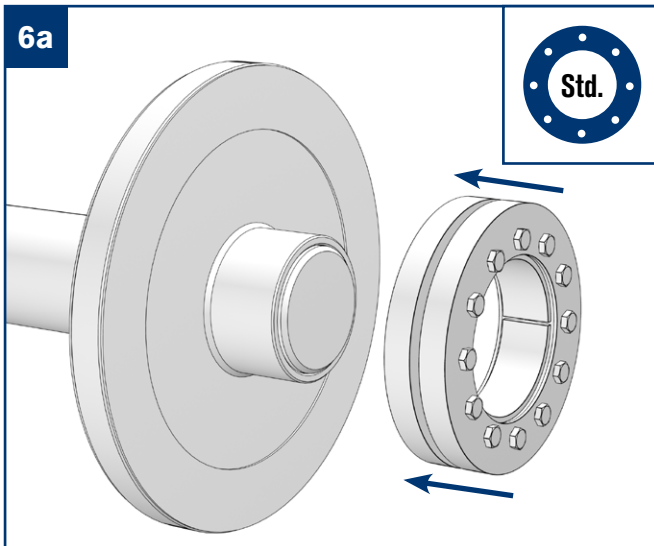


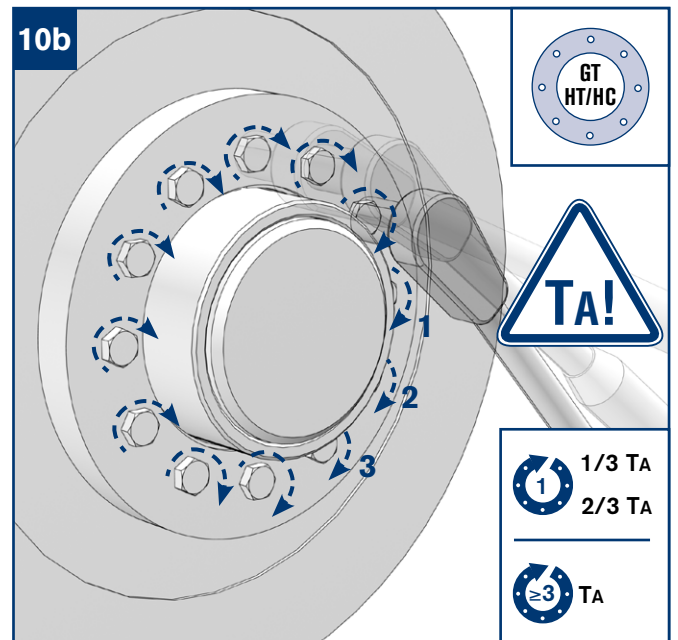
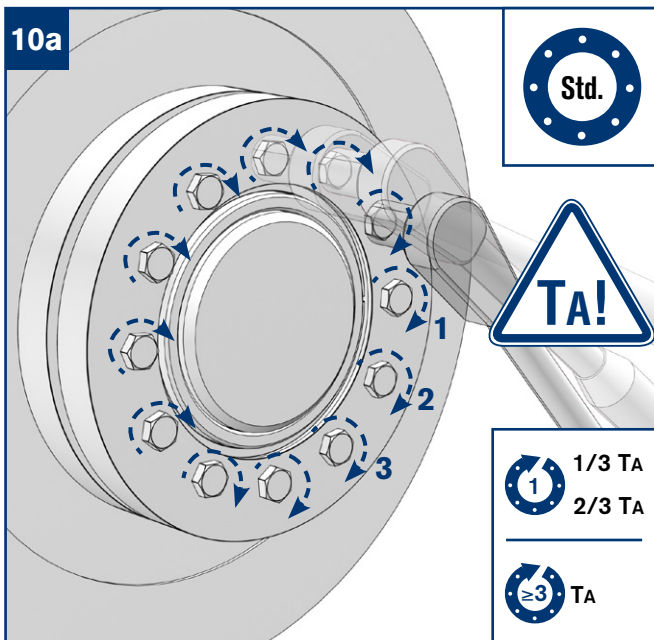
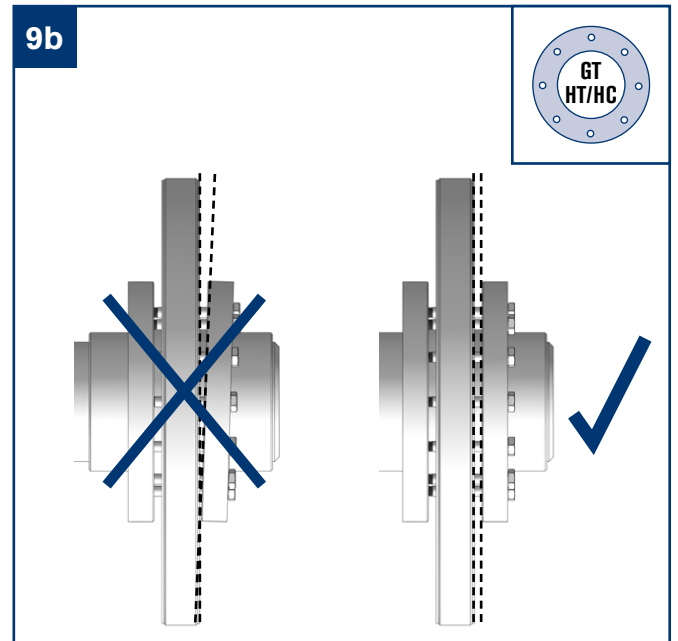
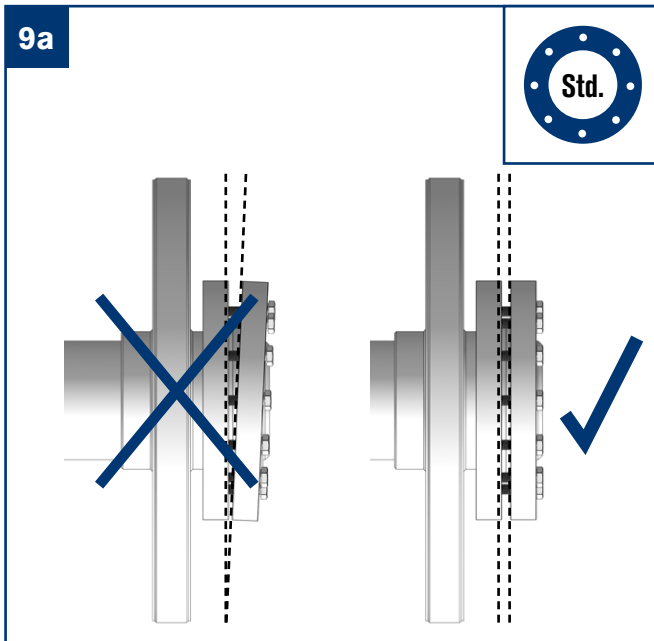
Attention!  
Absolutely observe!

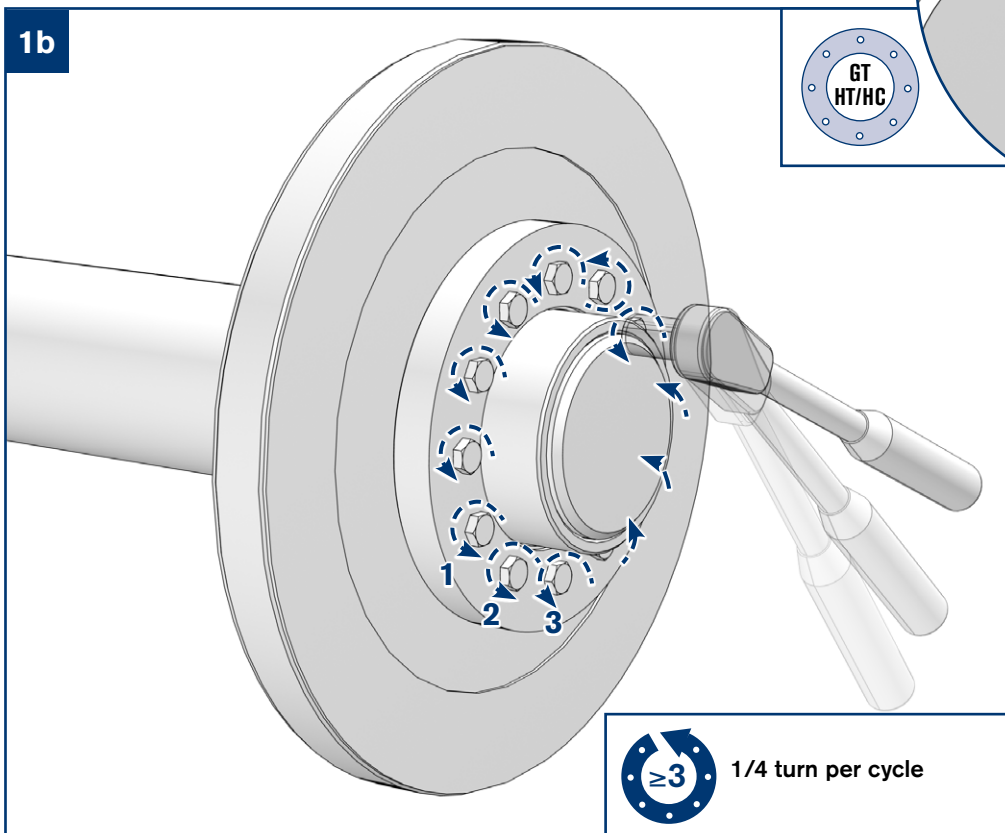
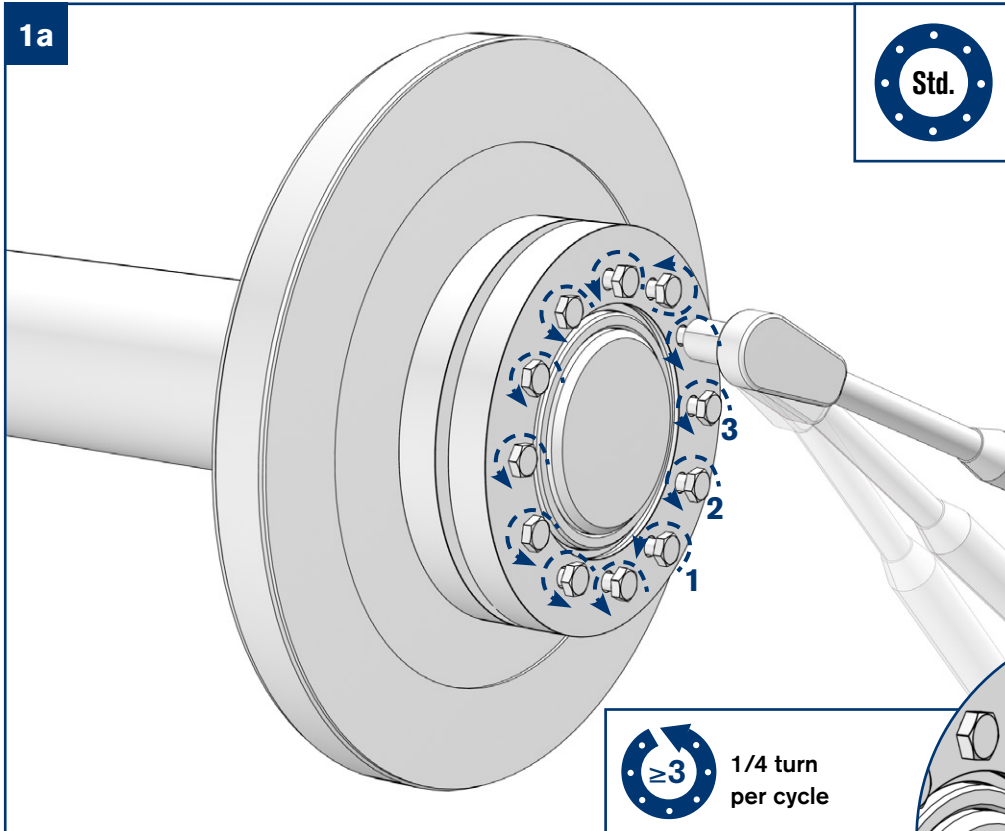


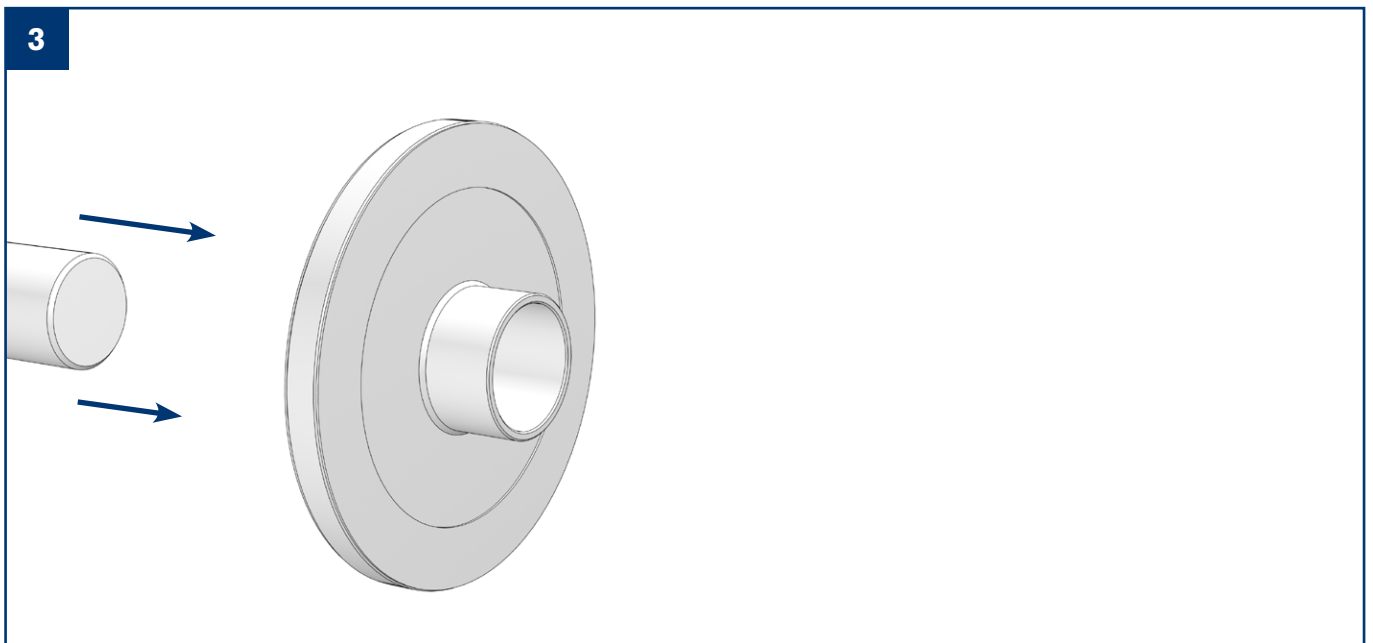
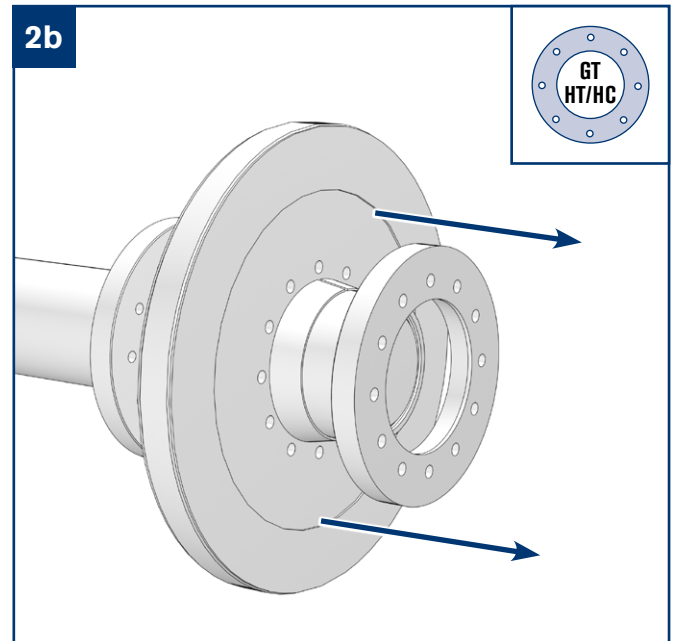
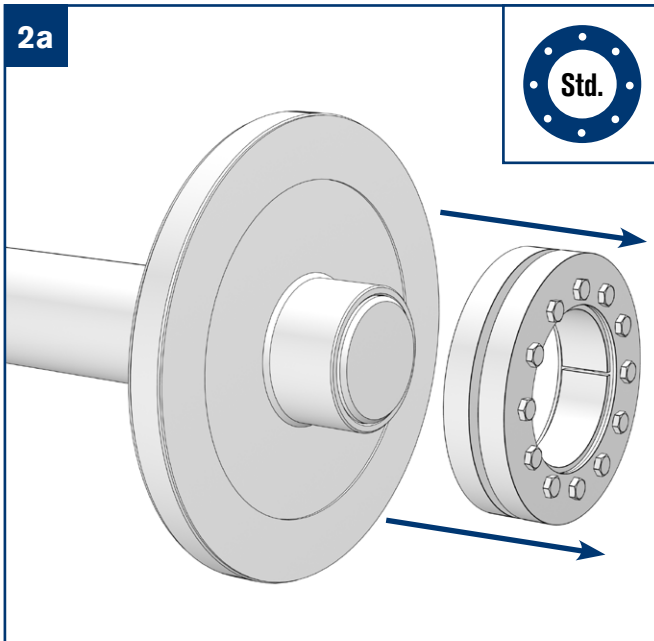
Valid data on the required tightening torque can be found in the Product Paper & Tech Paper "Shrink Discs" or on our website. Please check whether the machinery manufacturer has provided discrepant tightening torque values.



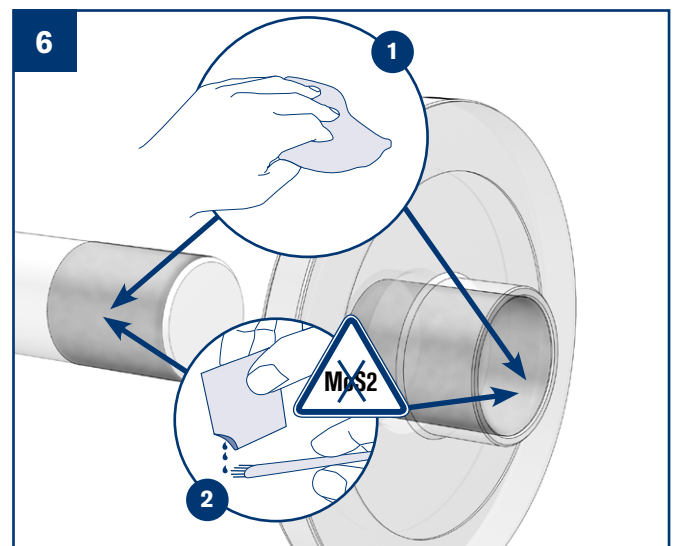
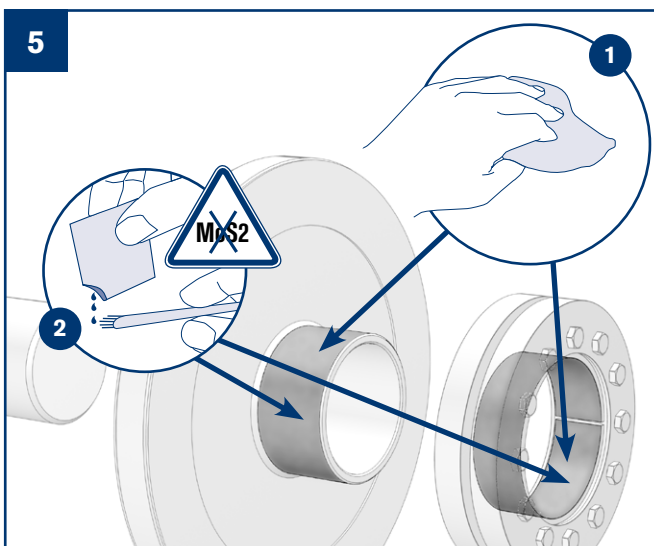
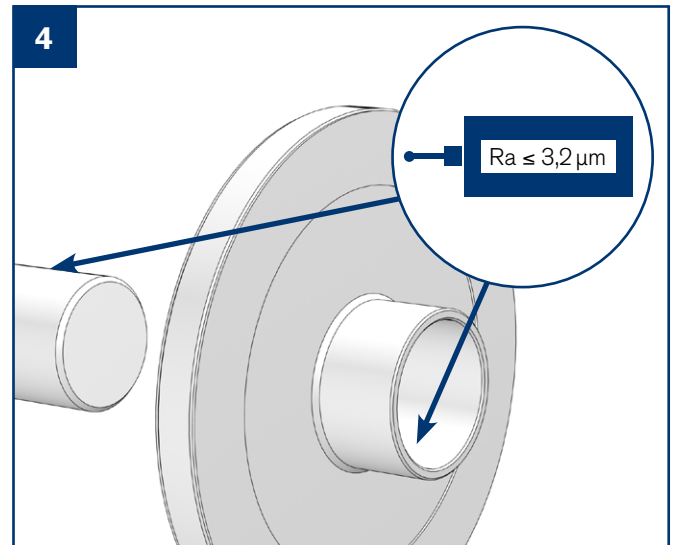
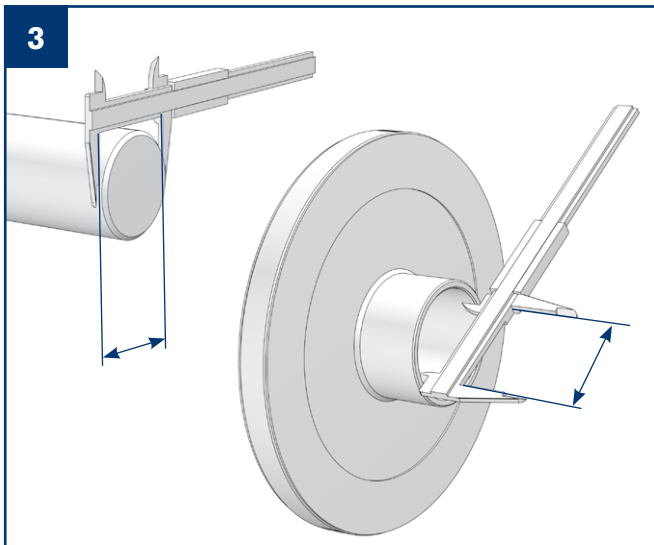
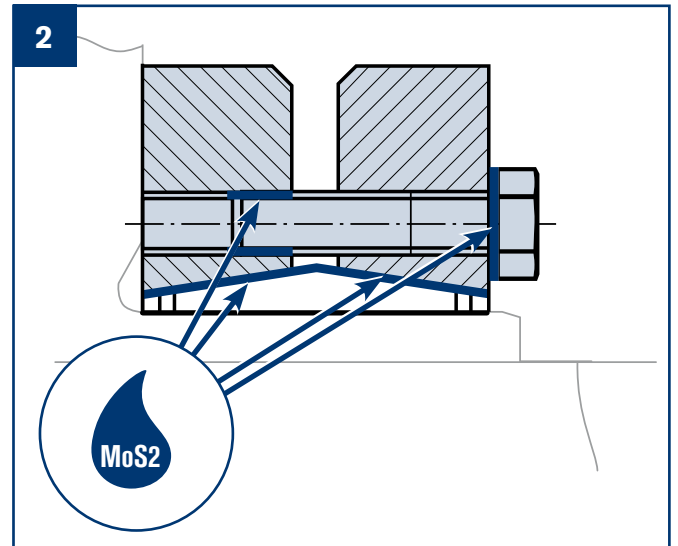
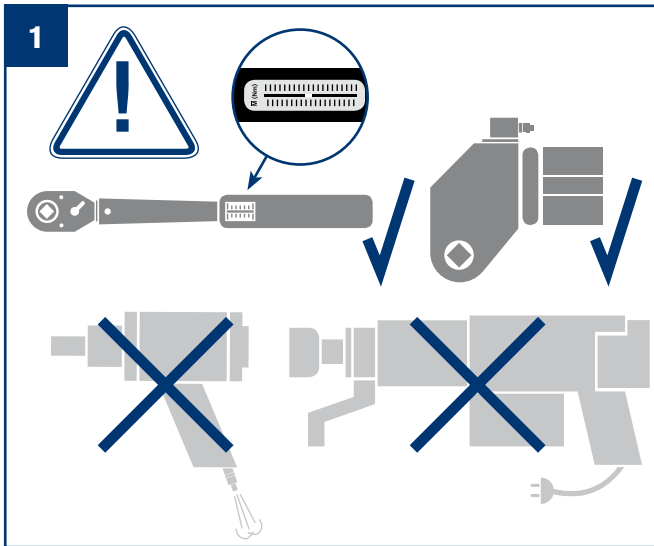


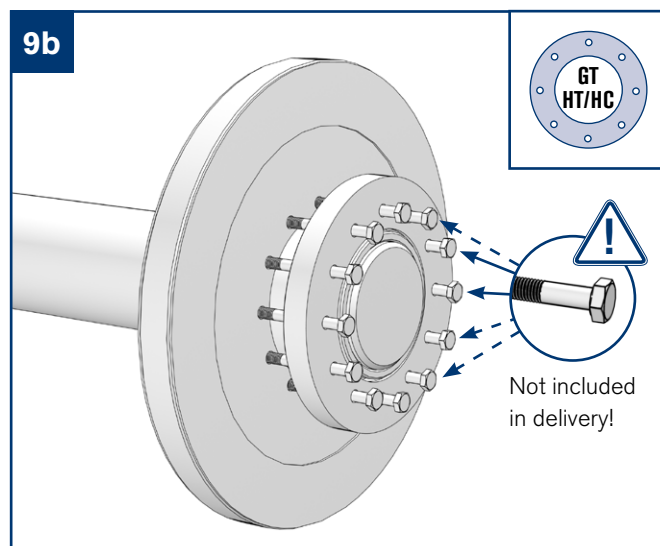
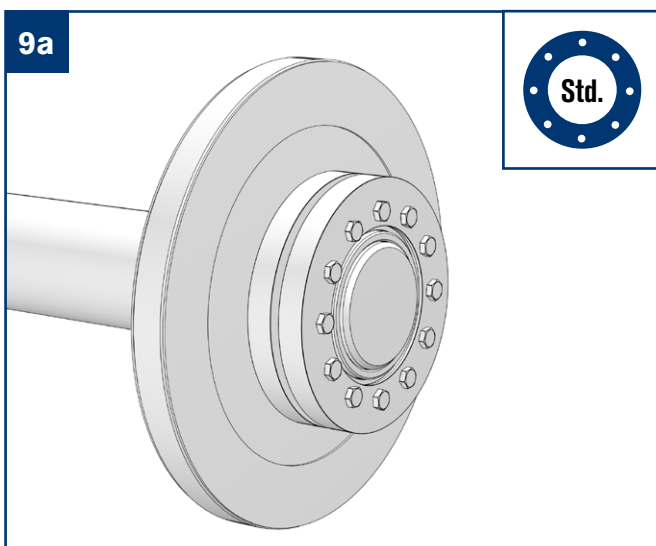
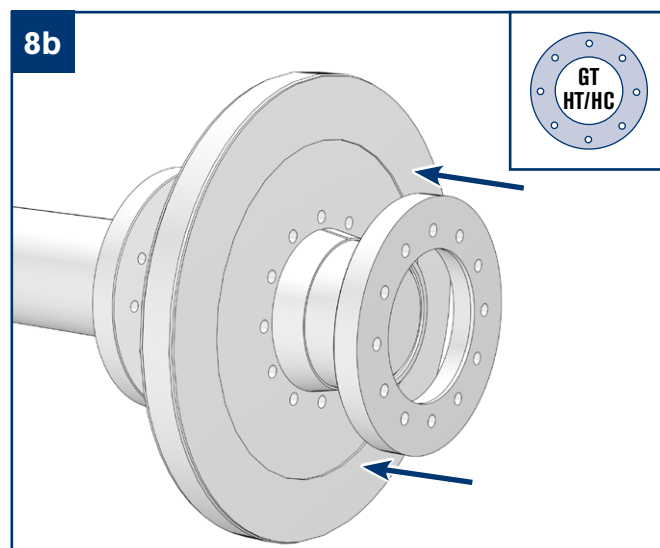
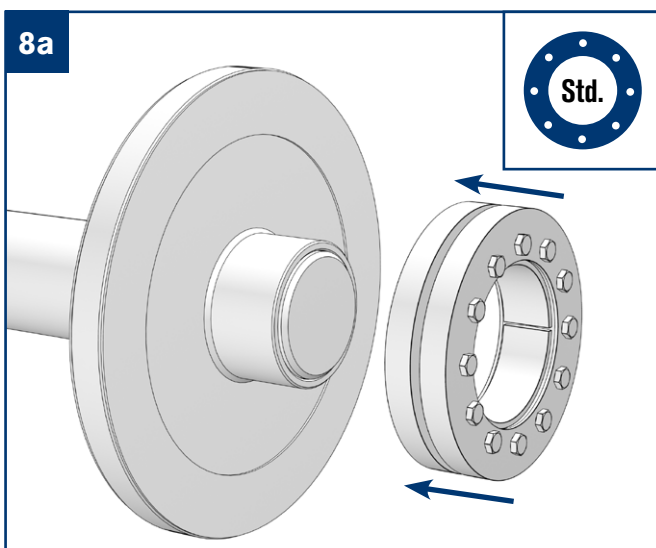
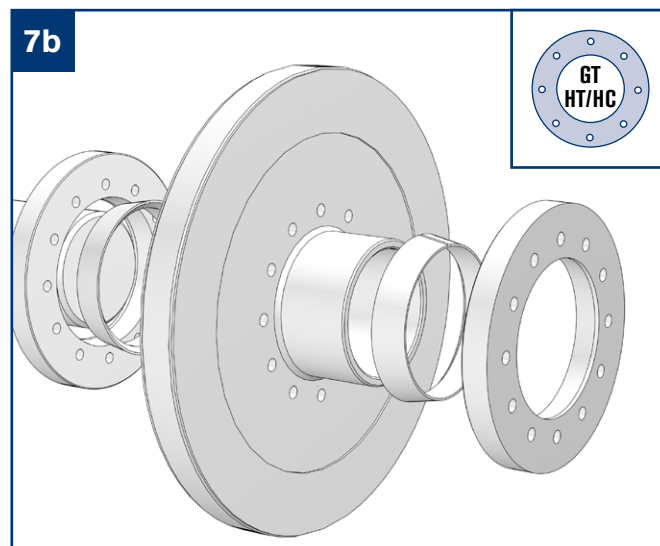
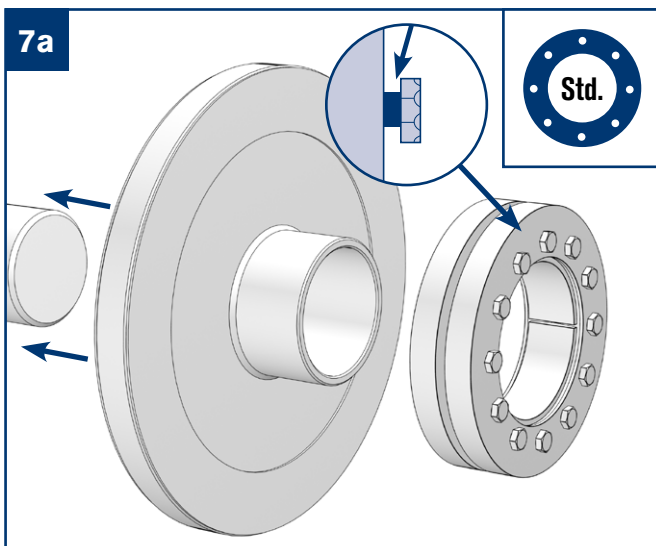


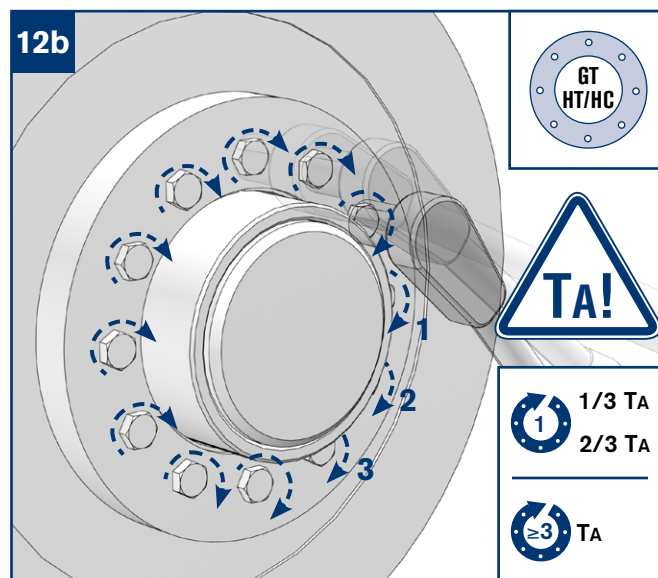
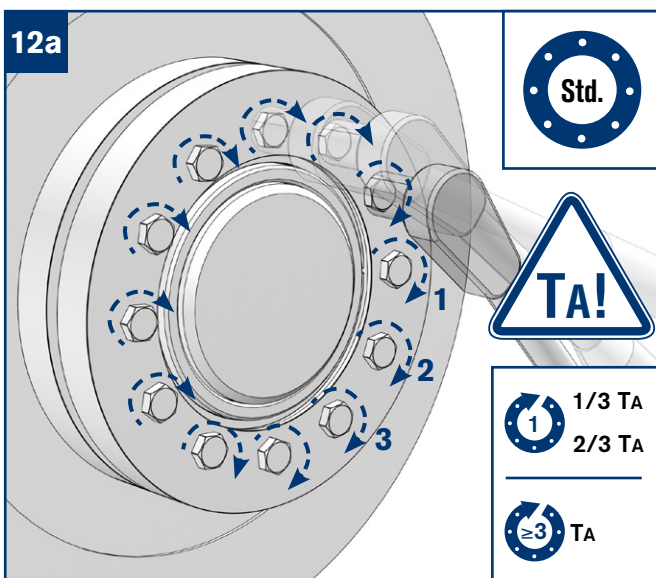
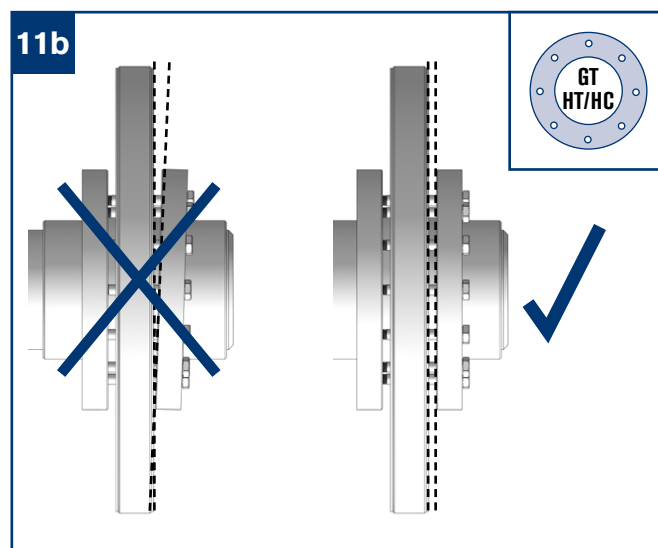
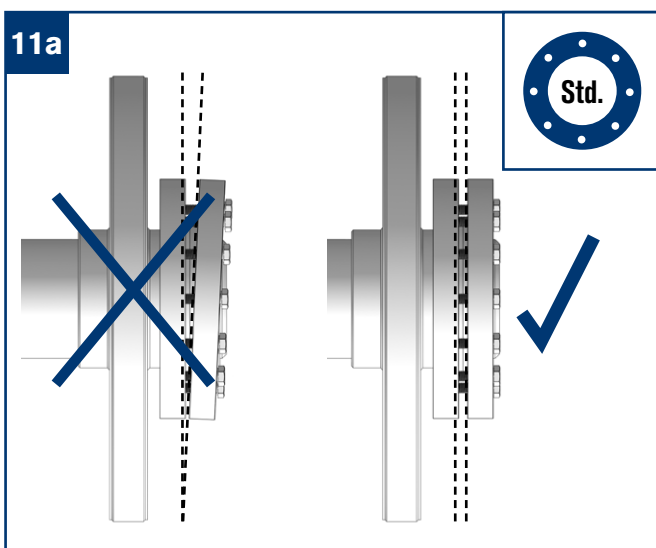
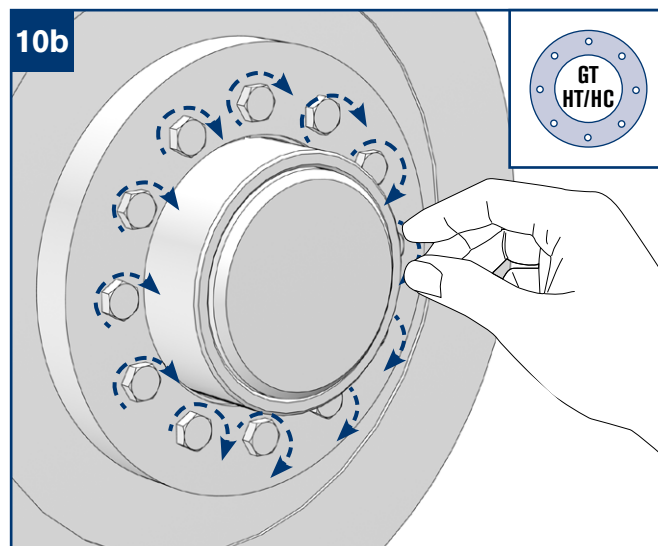
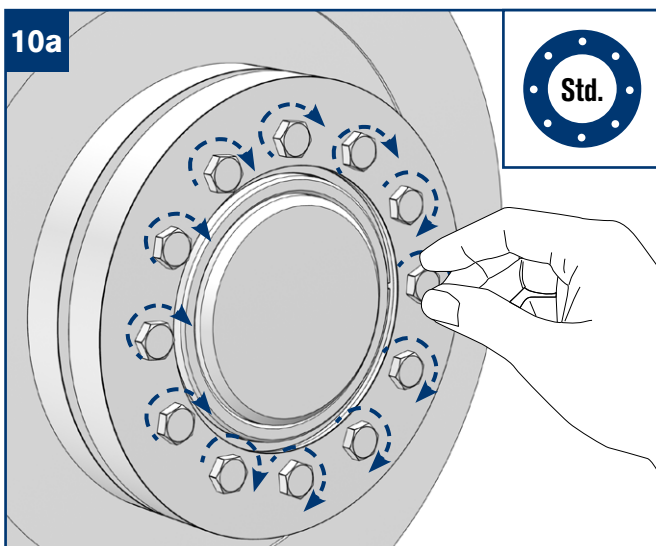












**RINGFEDER POWER TRANSMISSION GMBH**

Werner-Heisenberg-Straße 18, D-64823 Groß-Umstadt, Germany · Phone: +49 (0) 6078 9385-0 · Fax: +49 (0) 6078 9385-100  
E-mail: sales.international@ringfeder.com

**RINGFEDER POWER TRANSMISSION TSCHAN GMBH**

Zweibrücker Straße 104, D-66538 Neunkirchen, Germany · Phone: +49 (0) 6821 866-0 · Fax: +49 (0) 6821 866-4111  
E-mail: sales.tschan@ringfeder.com

**RINGFEDER POWER TRANSMISSION USA CORPORATION**

165 Carver Avenue, Westwood, NJ 07675, USA · Toll Free: +1 888 746-4333 · Phone: +1 201 666 3320 · Fax: +1 201 664 6053  
E-mail: sales.usa@ringfeder.com

**HENFEL INDÚSTRIA METALÚRGICA LTDA.**

Av. Major Hilário Tavares Pinheiro, 3447 · CEP 14871 300 · Jaboticabal - SP - Brazil · Phone: +55 (16) 3209-3422  
E-mail: vendas@henfel.com.br

**RINGFEDER POWER TRANSMISSION INDIA PRIVATE LIMITED**

Plot No. 4, Door No. 220, Mount - Poonamallee Road, Kattupakkam, Chennai – 600 056, India  
Phone: +91 (0) 44-2679 1411 · Fax: +91 (0) 44-2679 1422 · E-mail: sales.india@ringfeder.com

**KUNSHAN RINGFEDER POWER TRANSMISSION COMPANY LIMITED**

NO. 406 Jiande Road, Zhangpu 215321, Kunshan, Jiangsu Province, China  
Phone: +86 (0) 512-5745-3960 · Fax: +86 (0) 512-5745-3961 · E-mail: sales.china@ringfeder.com

Partner for Performance  
[www.ringfeder.com](http://www.ringfeder.com)

