

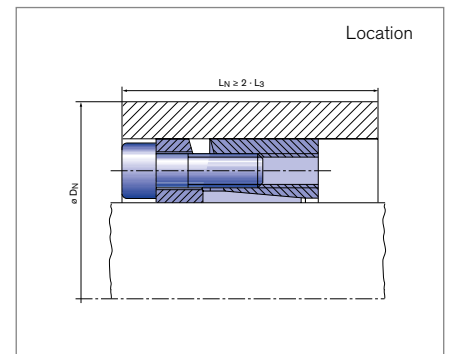
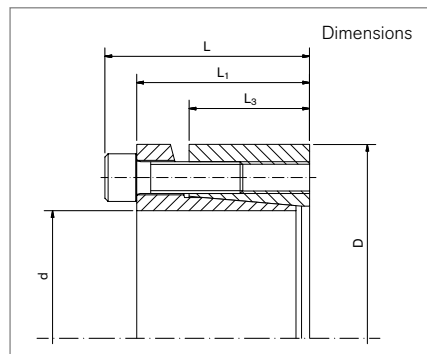
Locking Assemblies

RINGFEDER® RfN 7013.0

Excellent concentricity and very easy to dismantle



self-centering	without axial displacement	with low surface pressure
----------------	----------------------------	---------------------------



Locking Assembly dimensions			Transmissible torques or axial forces		Surface pressure		Locking screws			DN min at Rp0,2			T _{max}				
d	x	D	L	L ₁	L ₃	T	F _{ax}	Shaft Pw	Hub PN	n _{Sc}	D _G	T _A		Gw	200	300	400
mm			mm			Nm	kN	N/mm ²				Nm	kg	[N/mm ²]			Nm
19	x	47	37	31	21,7	285	30	300	90	4	M6 x 20	17	0,29	70	61	57	320
20	x	47	37	31	21,7	300	30	290	90	4	M6 x 20	17	0,29	70	61	57	340
22	x	47	37	31	21,7	330	30	260	90	4	M6 x 20	17	0,27	70	61	57	370
24	x	50	37	31	21,7	420	40	300	110	5	M6 x 20	17	0,31	80	68	63	480
25	x	50	37	31	21,7	440	40	290	110	5	M6 x 20	17	0,3	80	68	63	500
28	x	55	37	31	21,7	490	40	260	100	5	M6 x 20	17	0,36	83	72	68	560
30	x	55	37	31	21,7	530	40	240	100	5	M6 x 20	17	0,34	83	72	68	600
32	x	60	37	31	21,7	740	50	270	110	6	M6 x 20	17	0,41	95	81	75	850
35	x	60	37	31	21,7	810	50	250	110	6	M6 x 20	17	0,38	95	81	75	930
38	x	65	37	31	21,7	890	50	230	100	6	M6 x 20	17	0,44	99	86	80	1020
40	x	65	37	31	21,7	940	50	220	100	6	M6 x 20	17	0,41	99	86	80	1080
42	x	75	46	38	25,3	1730	80	300	130	6	M8 x 25	41	0,76	137	110	100	1980
45	x	75	46	38	25,3	1860	80	290	130	6	M8 x 25	41	0,7	137	110	100	2130
48	x	80	46	38	25,3	1980	80	270	130	6	M8 x 25	41	0,8	140	114	105	2270
50	x	80	46	38	25,3	2070	80	260	130	6	M8 x 25	41	0,76	140	114	105	2380
55	x	85	46	38	25,3	2540	90	270	140	7	M8 x 25	41	0,82	159	126	114	2920
60	x	90	46	38	25,3	2770	90	250	130	7	M8 x 25	41	0,88	161	130	118	3180
65	x	95	46	38	25,3	3580	110	260	140	8	M8 x 25	41	0,94	181	142	128	4110
70	x	110	60	50	33,4	5100	140	240	130	7	M10 x 35	83	2,1	195	158	144	5860
75	x	115	60	50	33,4	5460	140	230	120	7	M10 x 35	83	2,2	194	161	148	6270
80	x	120	60	50	33,4	5850	140	210	110	7	M10 x 35	83	2,3	195	164	152	6720
85	x	125	60	50	33,4	7450	180	230	130	8	M10 x 35	83	2,4	222	180	164	8560
90	x	130	60	50	33,4	7900	180	220	120	8	M10 x 35	83	2,6	225	184	168	9080
95	x	135	60	50	33,4	9900	210	260	150	10	M10 x 35	83	2,7	269	207	185	11380
100	x	145	68	58	40,8	11000	220	190	110	10	M10 x 35	83	3,7	238	199	184	12650
110	x	155	68	58	40,8	12100	220	180	110	10	M10 x 35	83	4	246	209	194	13910

To continue see next page

Locking Assemblies RINGFEDER® RfN 7013.0

Locking Assembly dimensions						Transmissible torques or axial forces		Surface pressure		Locking screws				D _{N min} at Rp _{0,2}			T _{max}
d	x	D	L	L ₁	L ₃	T	F _{ax}	Shaft p _W	Hub p _N	n _{Sc}	D _G	T _A	G _w	200	300	400	
mm			mm			Nm	kN	N/mm ²				Nm	kg	[N/mm ²]			Nm
120	x	165	68	58	40,8	15700	260	190	120	12	M10 x 35	83	4,3	279	231	212	18050
130	x	180	77	65	45,4	20700	320	190	120	10	M12 x 40	145	5,9	305	252	231	23800
140	x	190	77	65	45,4	22500	320	180	110	10	M12 x 40	145	6,3	312	261	241	25870
150	x	200	77	65	45,4	28500	380	200	130	12	M12 x 40	145	6,7	357	288	262	32770

More sizes on request

Explanation

d = Inner diameter	F_{ax} = Transmissible axial force	T_A = Max tightened torque of the clamping screws
D = Outer diameter	p_W = Surface pressure on shaft at given T _A	G_w = Weight
L = Overall length	p_N = Surface pressure on hub at given T _A	D_{N min} = Min. hub outer diam. depending of the given hub yield point Rp _{0,2}
L₁ = Overall length (without screws)	n_{Sc} = Quantity of screws	T_{max} = Max. transmissible torque
L₃ = Width of ring	D_G = Thread	
T = Transmissible torque at given T _A		

Ordering example

Locking assembly	d	D
RfN 7013.0	150	200

Technical Information

- The Locking Assemblies are supplied slightly oiled and ready-to-use. The values for T, F_{ax}, p_W and p_N apply to Locking Assemblies installed in the delivery condition.
- Surface finishes: Shaft and hub bores R_a ≤ 1,6 μm
- Tolerances: Shaft: h8 · Hub: H8
- A change of the T_A-values given in the above table is inadmissible
- The outside diameter of the hub is calculated with factor C3 = 0.6. (see chapter „Calculation“ in Product Paper & Tech Paper „RINGFEDER® Locking Assemblies“).

Further information on
RINGFEDER® RfN 7013.0
 on www.ringfeder.com

Disclaimer of liability

All technical details and notes are non-binding and cannot be used as a basis for legal claims. The user is obligated to determine whether the represented products meet his requirements. We reserve the right carry out modifications at any time in the interests of technical progress.